

DATA CONTAINED IN THIS DOCUMENT IS PROPRIETARY TO TROMPETER ELECTRONICS, INC. AND SHALL NOT BE DISCLOSED, COPIED OR USED FOR PROCUREMENT OR MANUFACTURE WITHOUT EXPRESS WRITTEN PERMISSION.

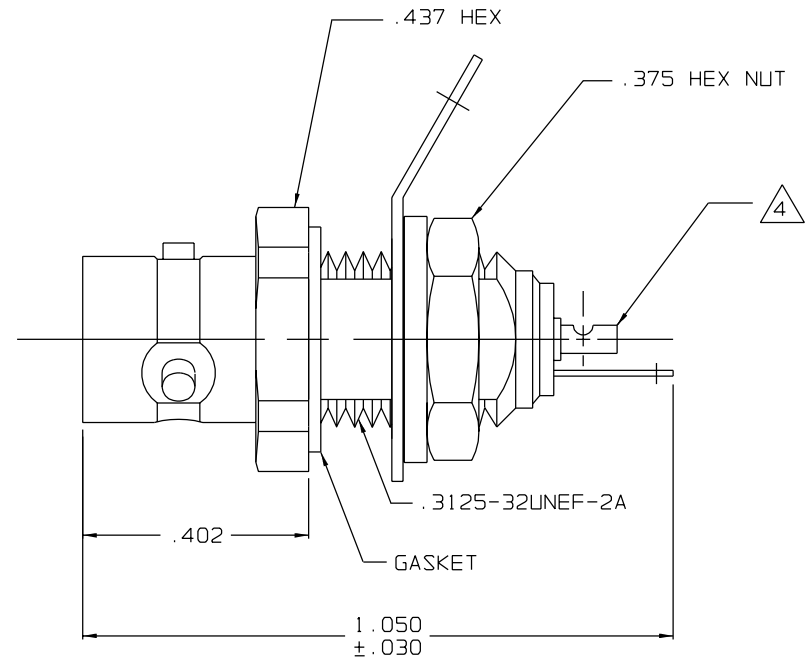
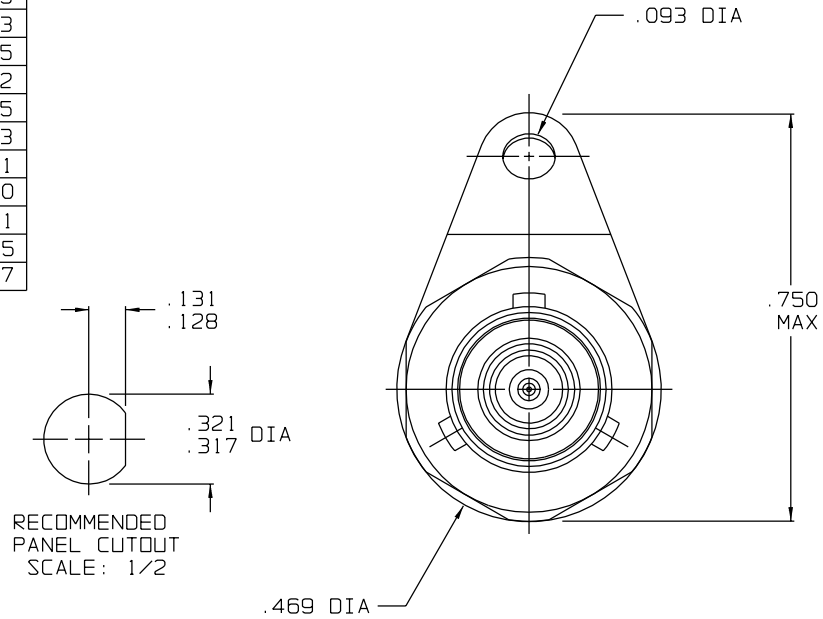
REVISIONS

3-0027

SH 1

REV	EO	DESCRIPTION	DWN	APPROVED	DATE
K	12296	CHANGED CONTACT PICTORIALY; CHANGED NOTE [2], SH 2; SEE ECO	DKC		

INCH	MM
.005	0.13
.030	0.76
.034	0.86
.093	2.36
.128	3.25
.131	3.33
.187	4.75
.317	7.92
.321	8.15
.375	9.53
.402	10.21
.437	11.10
.469	11.91
.750	19.05
1.050	26.67



5. SUBMINATURE TRIAXIAL SOLDER POT BULKHEAD RECEPTACLE (TPS STYLE)

4 SOLDER POT ACCEPTS .034 MAX DIA CONDUCTOR

3. MAX PANEL THK: .187

2. FINISH: TFS-1A (NICKEL)

1. ALL DIM ARE IN INCHES

QTY	DESCRIPTION	PART NUMBER	ITEM
	TOL UNLESS SPECIFIED .XX ± .XXX ± .005 .XXXX ± ANGLES ±	TROMPETER ELECTRONICS, INC.	
305-0434			
3-0417			
3-0040	DWN DKC 4-27-98	MATERIAL	CODE IDENT
310-0026	CHK		
305-0363	ENGR		
NEXT ASSY	APPR		
		SCALE 4/1	DATE 12/22/75
		SHEET	1C

TROMPETER ELECTRONICS, INC.

BJ157

MATERIAL
CODE IDENT
14949

DRAWING NO.
3-0027

REV
K