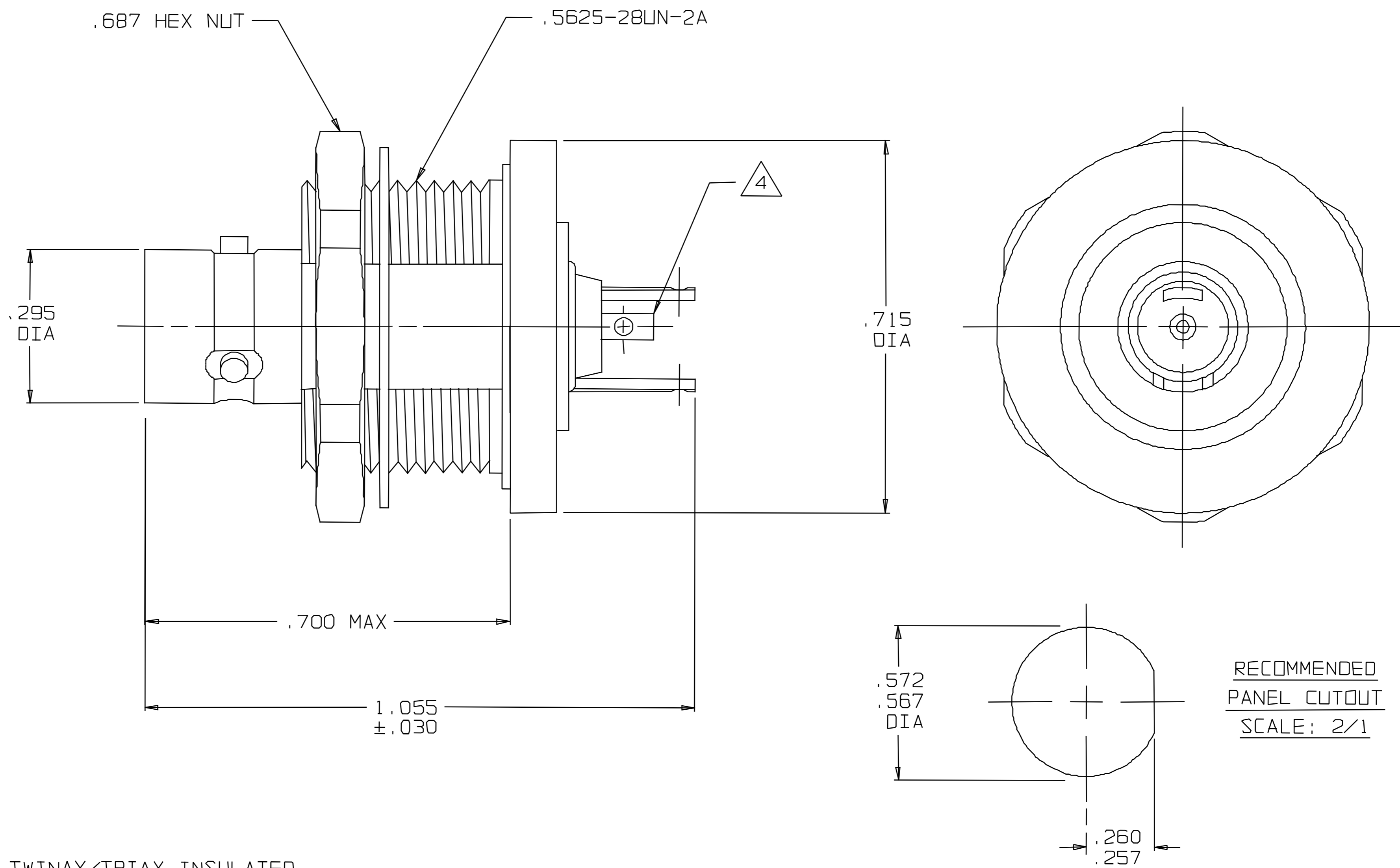


DATA CONTAINED IN THIS DOCUMENT IS PROPRIETARY TO TROMPETER ELECTRONICS INC. AND SHALL NOT BE DISCLOSED, COPIED OR USED FOR PROCUREMENT OR MANUFACTURE WITHOUT EXPRESS WRITTEN PERMISSION.

REVISIONS			3-0109	SH 1	
REV	EO	DESCRIPTION	OWN	APPROVED	DATE
A	12289	REVISED REDRAWN GENERAL UPDATE; CHANGED CONTACT PICTORIALY; ADDED NOTE [1], SHEET 2; SEE ECO	DKC		

INCH	MM
.005	0.13
.026	0.66
.030	0.76
.148	3.76
.257	6.53
.260	6.60
.295	7.49
.567	14.40
.572	14.53
.687	17.45
.700	17.78
.715	18.16
1.055	26.80



5. FEMALE 3-LUG CONCENTRIC TWINAX/TRIAX INSULATED SUBMINIATURE REAR MOUNTING BULKHEAD SOLDER POT RECEPTACLE (TRS SERIES)

4 SOLDER POT ACCEPTS .026 MAX DIA CONDUCTOR

- 3. MAX PANEL THK .148
- 2. FINISH: TFS-1A (NICKEL)
- 1. ALL DIM ARE IN INCHES

NEXT ASSY

QTY	DESCRIPTION		PART NUMBER	ITEM				
TOL UNLESS SPECIFIED		<b>TROMPETER ELECTRONICS, INC.</b>	BJ155					
.XX ±	.XXX ± .005							
.XXX ±	.XXXX ±	DWN	DKC	6-15-98	MATERIAL	CODE IDENT	DRAWING NO.	REV
ANGLES ±		CHK				14949	3-0109	A
		ENGR			SCALE 4/1	DATE 12-4-85	SHEET 1C	
		APPR						