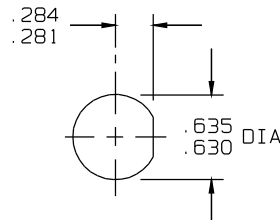
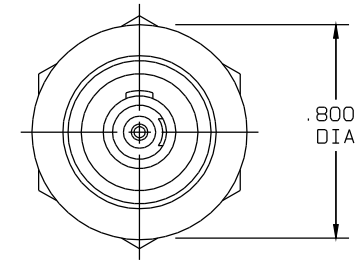
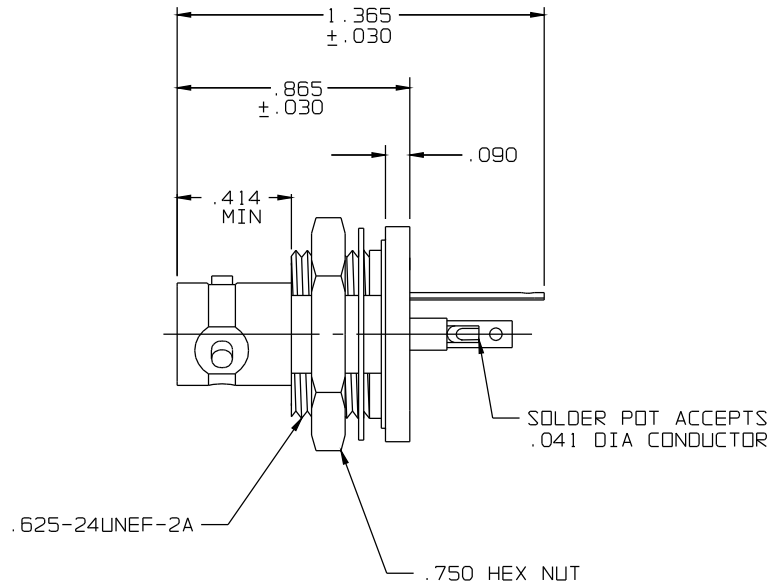
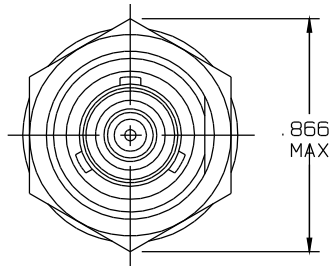


INCH	MM
.005	0.13
.030	0.76
.041	1.04
.090	2.29
.140	3.56
.281	7.14
.284	7.21
.414	10.52
.630	16.00
.635	16.13
.750	19.05
.800	20.32
.865	21.97
.866	22.00
1.365	34.67

DATA CONTAINED IN THIS DOCUMENT IS PROPRIETARY TO TROMPETER ELECTRONICS INC. AND SHALL NOT BE DISCLOSED, COPIED OR USED FOR PROCUREMENT OR MANUFACTURE WITHOUT EXPRESS WRITTEN PERMISSION.

REVISIONS			3-0083		SH 1
REV	ED	DESCRIPTION	DWN	APPROVED	DATE
J	11958	ADDED SHT 2; DIM .610 ±.010 WAS .675 ±.005; SEE ECO	DBN		



RECOMMENDED
PANEL CUTOUT
SCALE: 1/1

4. MAX PANEL THK .140
3. CONCENTRIC TWINAX/TRIAX TRB REAR MOUNTING INSULATED BULKHEAD SOLDER POT RECEPTACLE
2. FINISH: TFS-1A (NICKEL)
1. ALL DIM ARE IN INCHES

QTY	DESCRIPTION		PART NUMBER		ITEM	
TOL UNLESS SPECIFIED .xx ± .xxx ±.005 .xxxx± ANGLES±			TROMPETER ELECTRONICS, INC.		BJ75	
DWN	DBN	3/21/97				MATERIAL
CHK				14949	3-0083	J
ENGR						
APPR				SCALE 2/1	DATE 10/14/82	SHEET 1 OF 2

NEXT ASSY