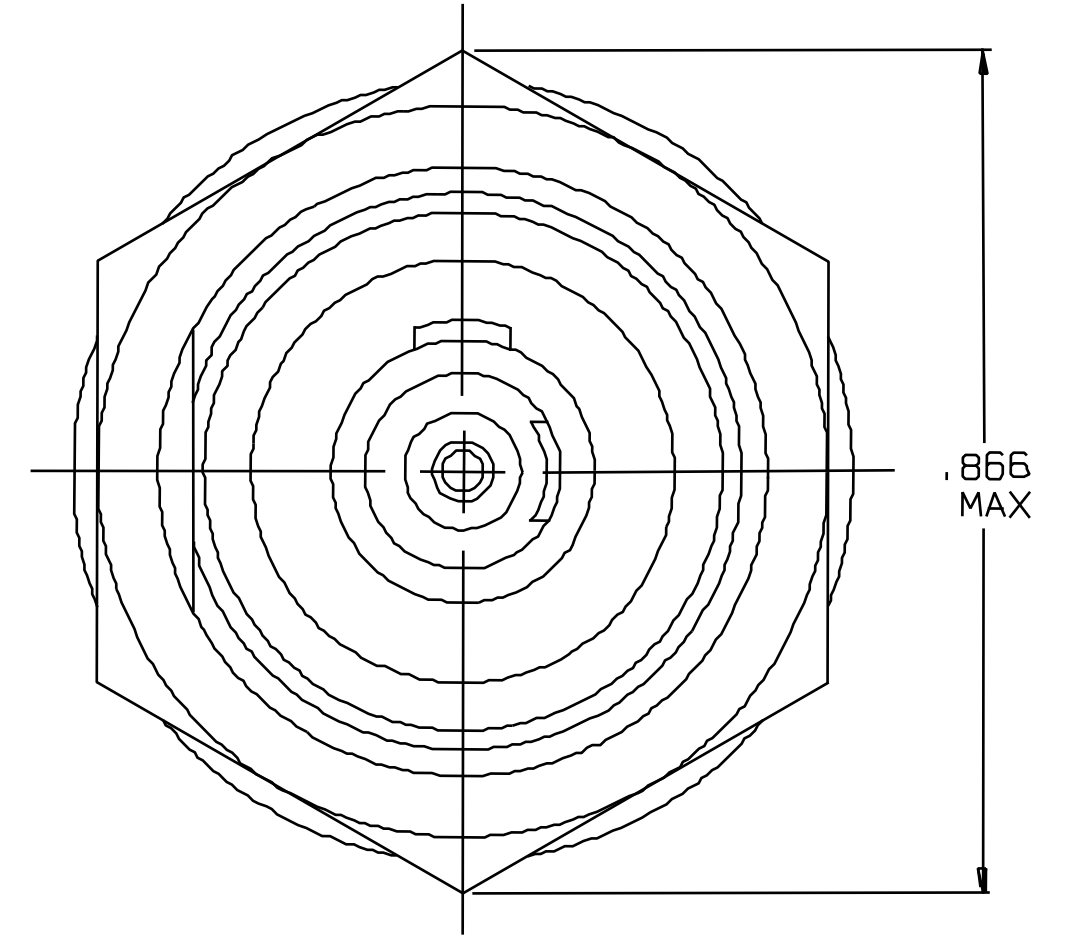
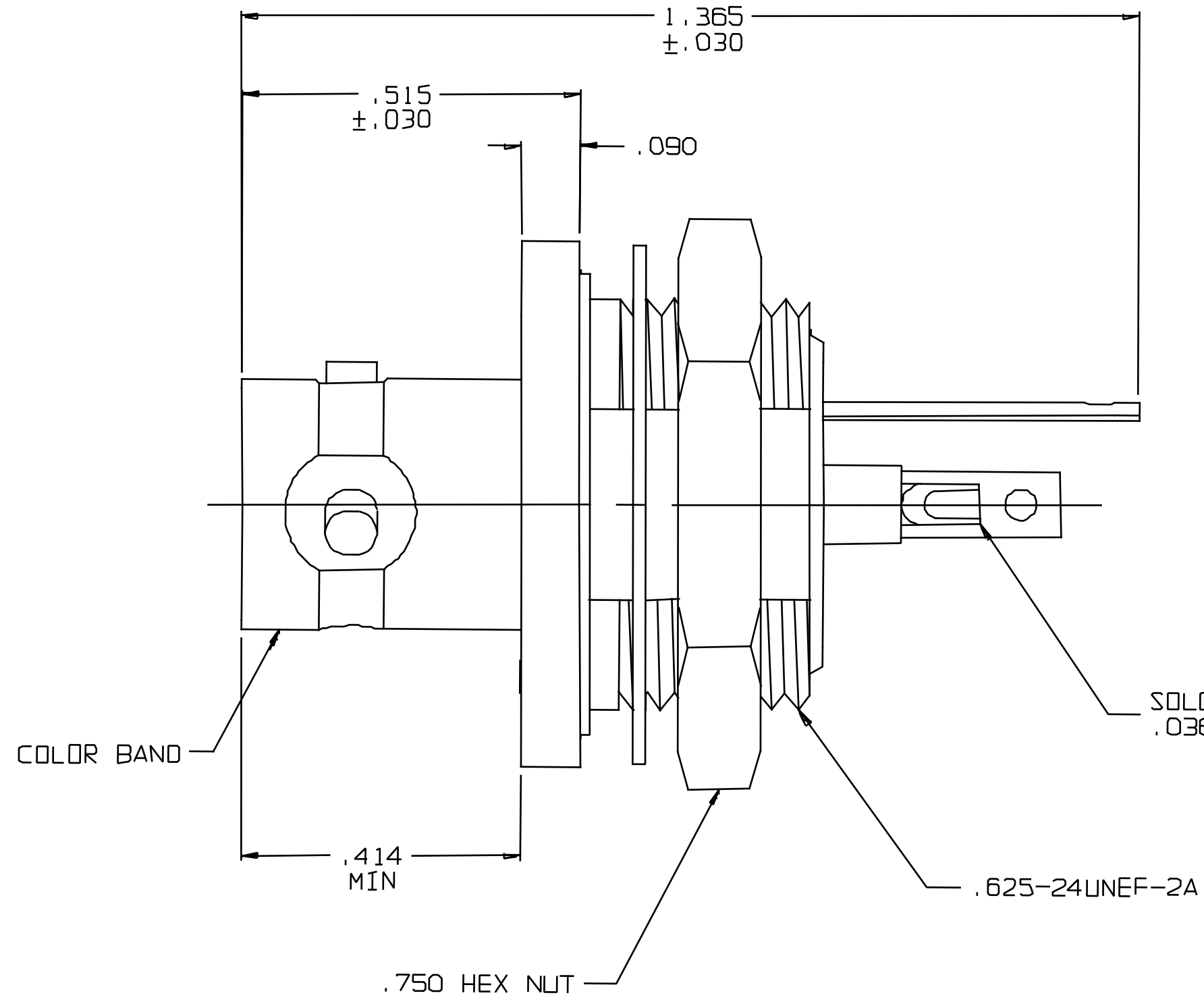
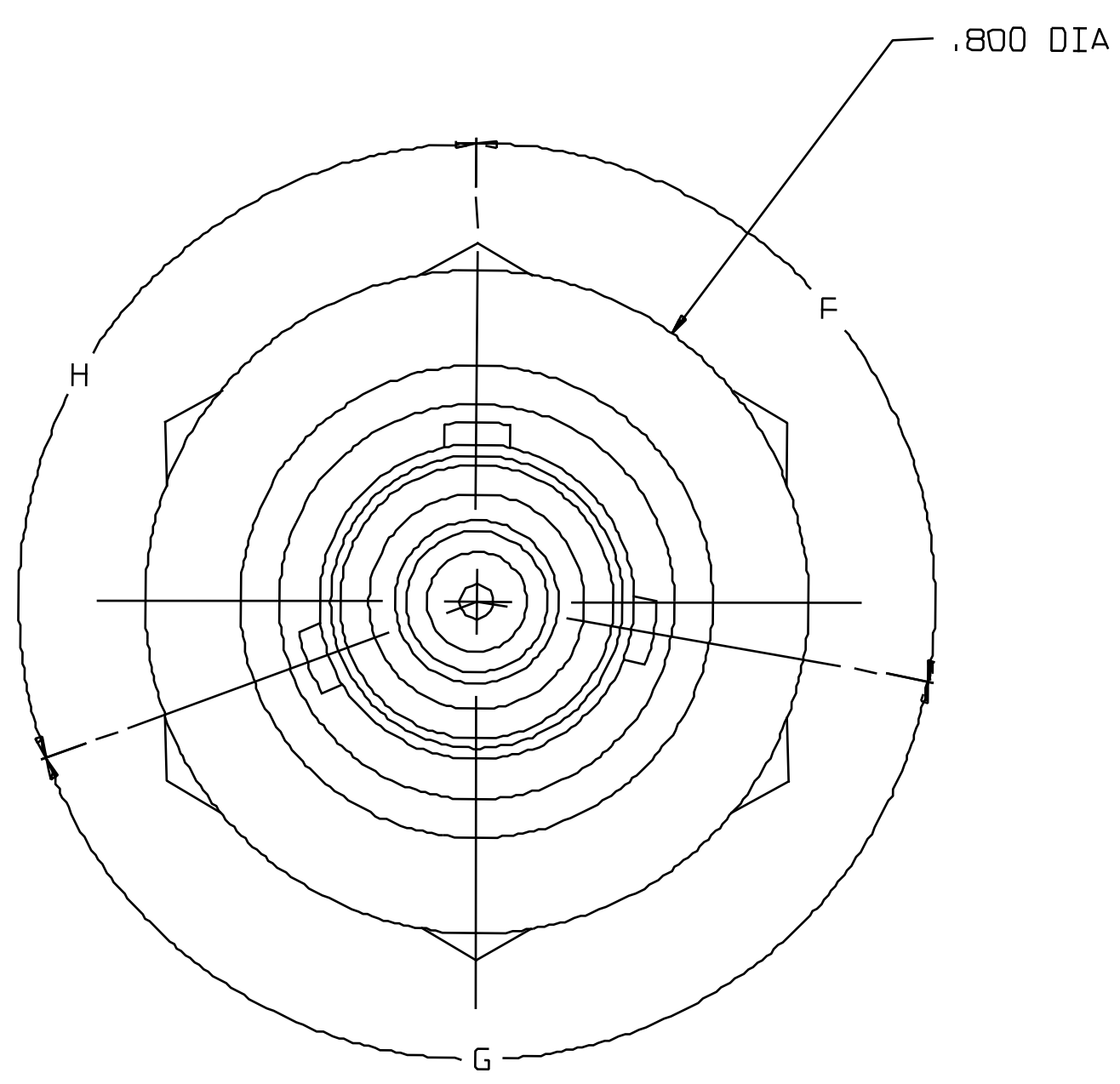


DATA CONTAINED IN THIS DOCUMENT IS PROPRIETARY TO TROMPETER ELECTRONICS INC. AND SHALL NOT BE DISCLOSED, COPIED OR USED FOR PROCUREMENT OR MANUFACTURE WITHOUT EXPRESS WRITTEN PERMISSION.

REVISIONS			1-0160		SH 1
REV	ED	DESCRIPTION	OWN	APPROVED	DATE
P	10722	ADDED COLOR BAND LOCATION; SEE ECO	DKC		

POLARIZATION CHART

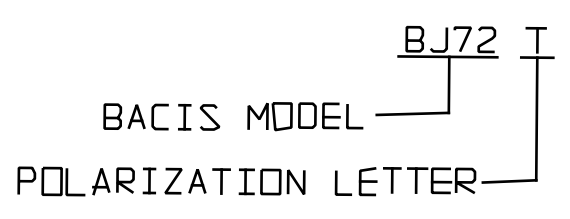
KEYING LETTER	F DEGREES	G DEGREES	H DEGREES	COLOR BAND
T	100°	150°	110°	RED
U	120°	130°	110°	ORANGE
V	115°	130°	115°	YELLOW
W	125°	110°	125°	GREEN
X	130°	100°	130°	BLUE
Y	110°	140°	110°	VIOLET
Z	100°	160°	100°	GRAY
S	135°	135°	90°	WHITE
NONE	120°	120°	120°	NONE



-1 SHOWN

INCH	MM
.005	0.13
.030	0.76
.036	0.91
.090	2.29
.140	3.56
.281	7.14
.284	7.21
.414	10.52
.515	13.08
.630	16.00
.635	16.13
.750	19.05
.800	20.32
.866	22.00
1.365	34.67

5. EXAMPLE OF COMPLETE MODEL NO:

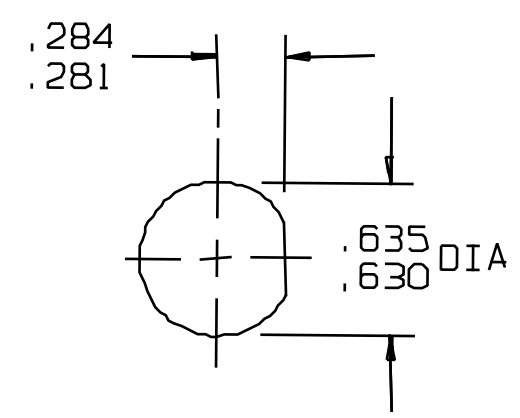


4. MAX PANEL THK .140

3. CONCENTRIC TWINAX/TRIAX TRB INSULATED BULKHEAD MOUNT SOLDER POT RECEPTACLE

2. FINISH: TFS-1A (NICKEL)

1. ALL DIM ARE IN INCHES



RECOMMENDED
PANEL CUTOUT
SCALE: 1/1

QTY	DESCRIPTION	PART NUMBER	ITEM
TOL UNLESS SPECIFIED .XX ± .XXX ± .005 .XXXX ± ANGLES ±	TROMPETER ELECTRONICS, INC.	BJ72	
DWN	DKC 7-20-94	MATERIAL	CODE IDENT
CHK		14949	DRAWING NO. 1-0160
ENGR		SCALE 4/1	DATE 11/18/68
APPR		SHEET 1 OF 2	REV P