

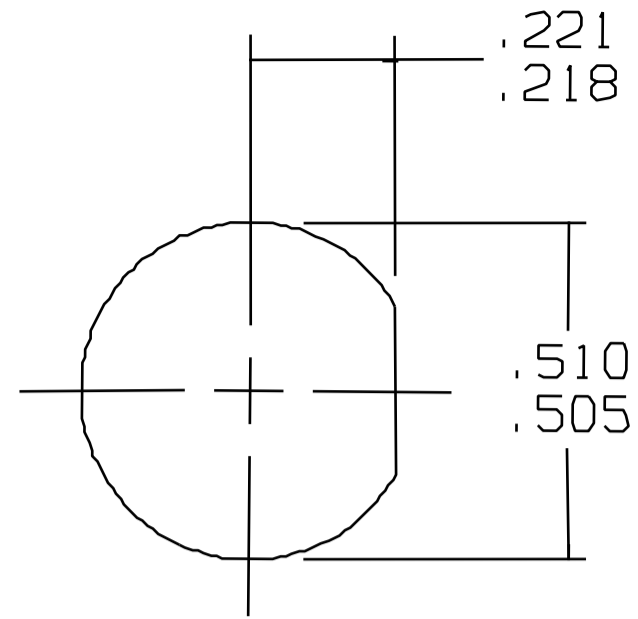
DATA CONTAINED IN THIS DOCUMENT IS PROPRIETARY TO TROMPETER ELECTRONICS INC. AND SHALL NOT BE DISCLOSED, COPIED OR USED FOR PROCUREMENT OR MANUFACTURE WITHOUT EXPRESS WRITTEN PERMISSION.

REVISIONS

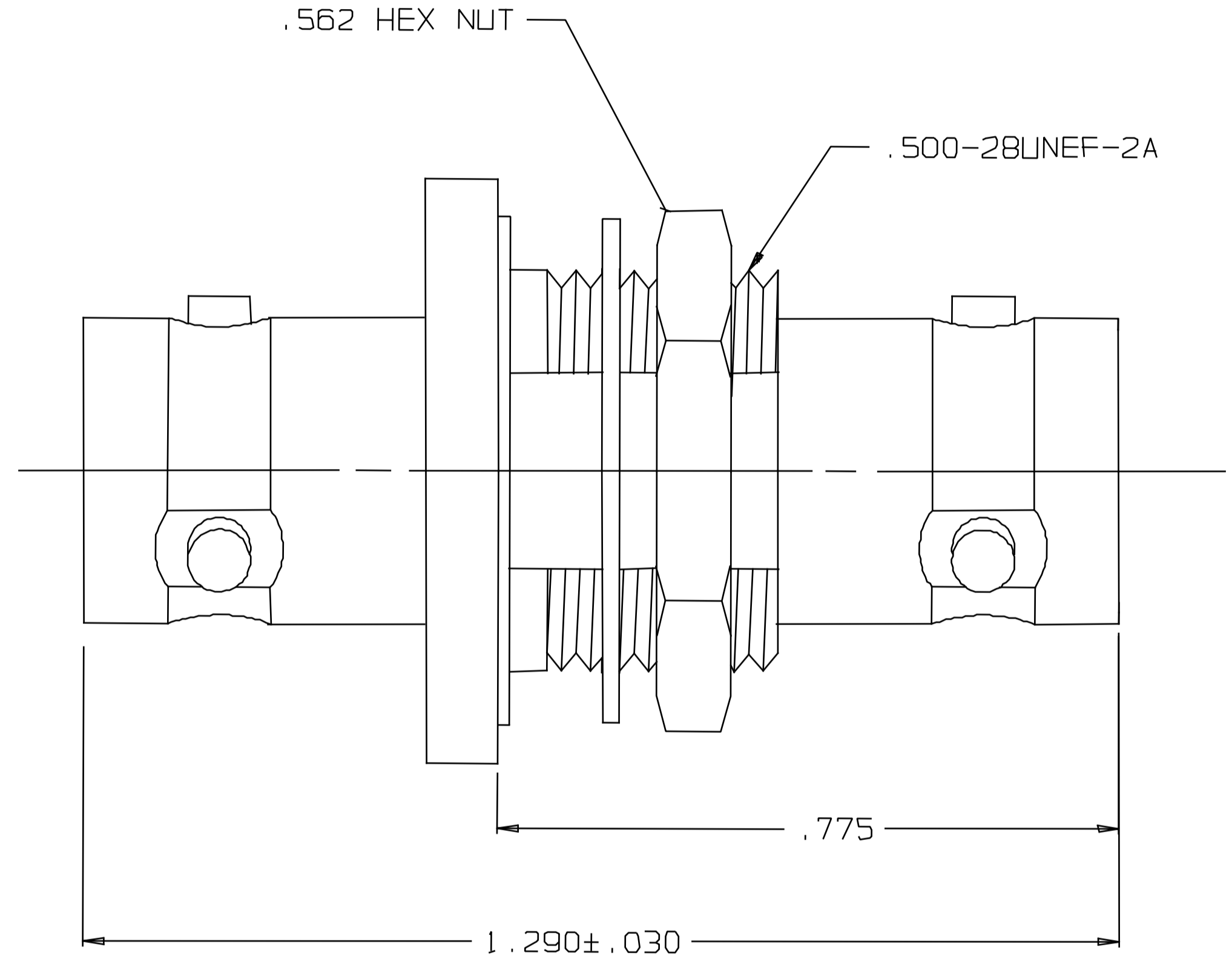
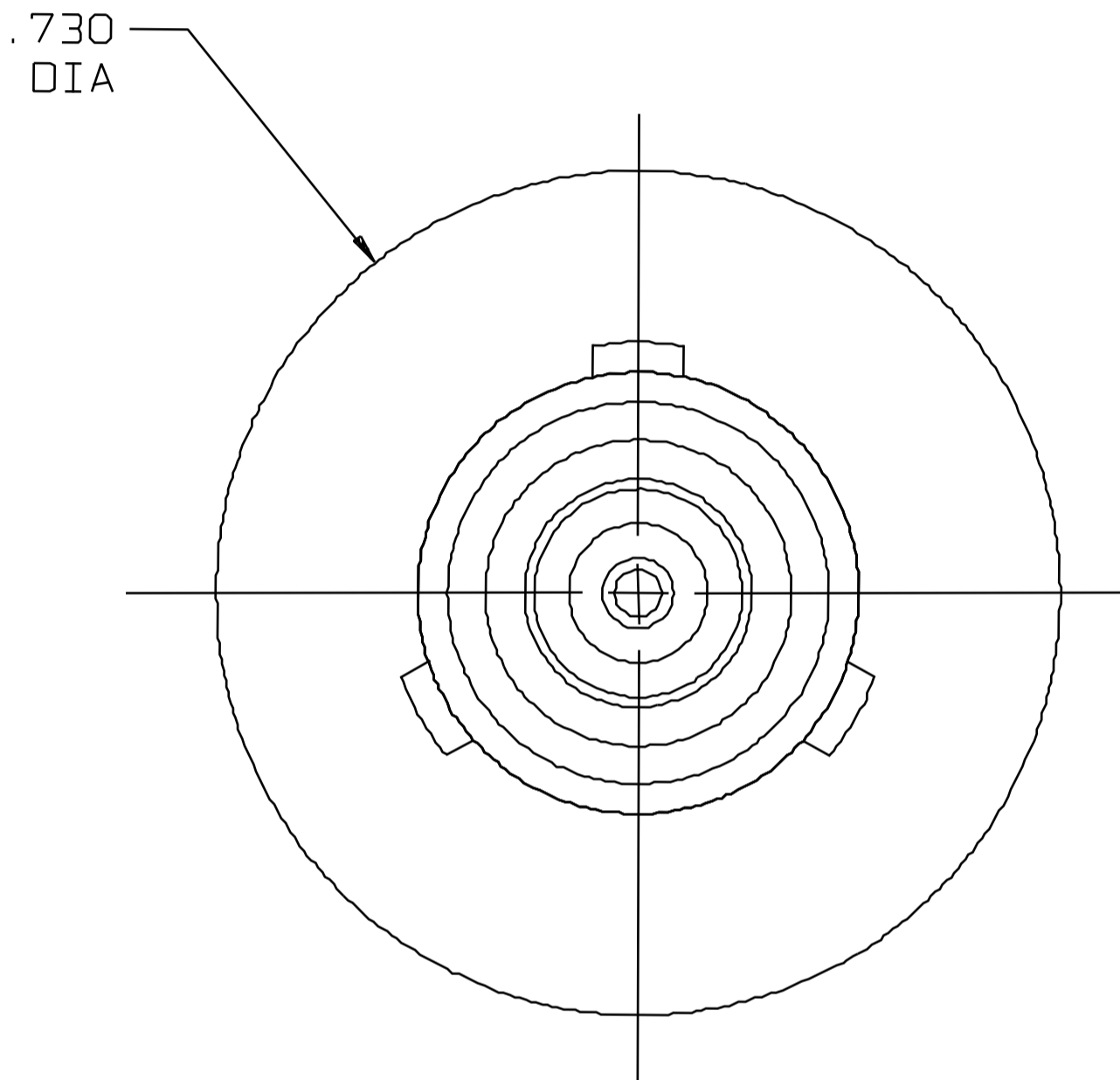
3-0002

SH 1

REV	ED	DESCRIPTION	OWN	APPROVED	DATE
N	9090	RELOCATED ARROW ON DIM .775	J S		



RECOMMENDED
PANEL CUTOUT
SCALE: 2/1



INCH	MM
.005	0.13
.030	0.76
.187	4.75
.218	5.54
.221	5.61
.505	12.83
.510	12.95
.562	14.27
.730	18.54
.775	19.69
1.290	32.77

4. CONCENTRIC TWINAX/TRIAX TRB BULKHEAD MOUNT FEEDTHRU RECEPTACLE
3. MAX PANEL THK .187
2. FINISH: TFS-1A (NICKEL)
1. ALL DIM ARE IN INCHES

QTY	DESCRIPTION		PART NUMBER	ITEM
TOL UNLESS SPECIFIED		TROMPETER ELECTRONICS, INC.	BJ78	
.XX ±	.005			
.XXX ±				
.XXXX ±				
ANGLES ±				
DWN	J S	12/11/90	MATERIAL	CODE IDENT
CHK			—	14949
ENGR				3-0002
APPR			SCALE 4/1	DATE 1-31-61
				SHEET 1 OF 2

NEXT ASSY