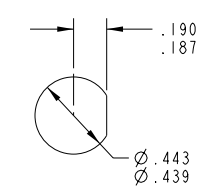
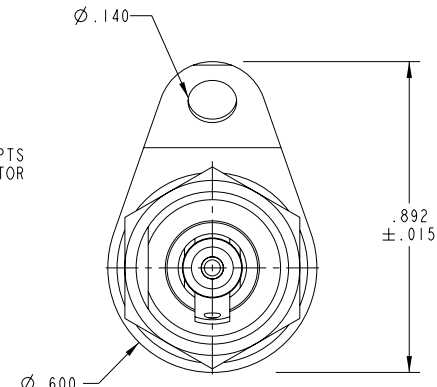
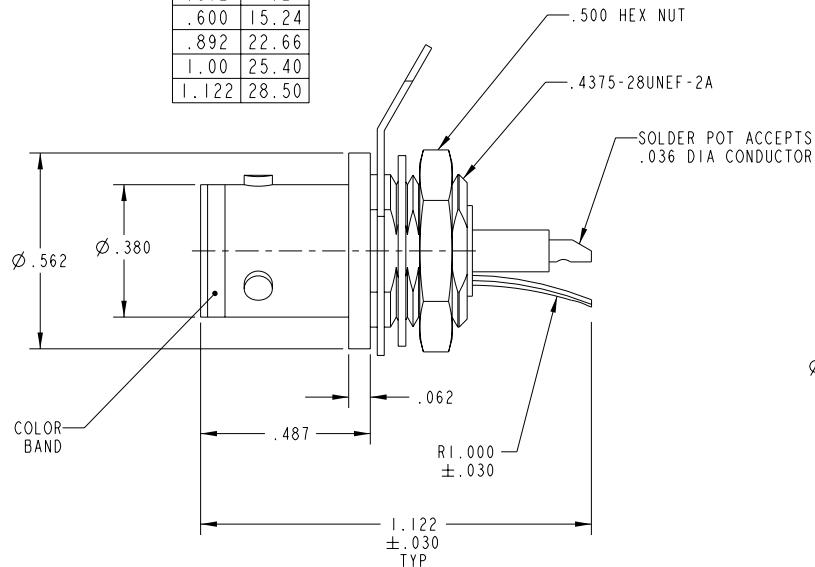
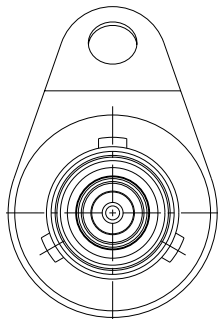


KEYING LETTER	A°	B°	C°	COLOR BAND
NONE	120°	120°	120°	NONE
S	135°	135°	90°	WHITE
T	100°	150°	110°	RED
U	120°	130°	110°	ORANGE
V	115°	130°	115°	YELLOW
W	125°	110°	125°	GREEN
X	130°	100°	130°	BLUE
Y	110°	140°	110°	VIOLET
Z	100°	160°	100°	GRAY

INCH	MM
.005	0.13
.015	0.38
.030	0.76
.036	0.91
.062	1.57
.125	3.18
.140	3.56
.187	4.75
.190	4.83
.380	9.65
.439	11.15
.443	11.25
.487	12.37
.500	12.70
.562	14.27
.600	15.24
.892	22.66
1.00	25.40
1.122	28.50

DATA CONTAINED IN THIS DOCUMENT IS PROPRIETARY TO TROMPETER ELECTRONICS INC. AND SHALL NOT BE DISCLOSED, COPIED OR USED FOR PROCUREMENT OR MANUFACTURE WITHOUT EXPRESS WRITTEN PERMISSION.

REVISIONS				3-0001	SH 1
REV	ECO NO.	DESCRIPTION	DWN	APPROVED	DATE
W	11328	SH. 2 "D" FLAT PIN DEPTH WAS .200; B/M P/N 8-2149-3; WAS 8-2149-2; SEE ECO	SAC		



RECOMMENDED
PANEL CUTOUT
SCALE 2.000

- 4. MAX PANEL THK .125
- 3. SOCKET CONTACT CONCENTRIC TWIAX/ TRIAX TRB SOLDER POT BULKHEAD MOUNT RECEPTACLE
- 2. FINISH: TFS-1A(NICKEL)
- 1. ALL DIM ARE IN INCHES

5. EXAMPLE OF COMPLETE MODEL NO:
 BASIC MODEL NO. BJ77 - T POLARIZATION LTR (SEE TABLE 1)

QTY	DESCRIPTION		PART NUMBER	ITEM
TOL UNLESS SPECIFIED		TROMPETER ELECTRONICS, INC.®	BJ77/S/T/U/V/ W/X/Y/Z	
.XX ±	.XXX ± .005			
CHK	SAC	12-6-95	MATERIAL	CODE IDENT
ENGR				DRAWING NO.
APPR				3-0001
SEE SH 3	ENGR		SCALE 4/1	DATE
NEXT ASSY	APPR		DATE	11-12-68
				SHEET 1C