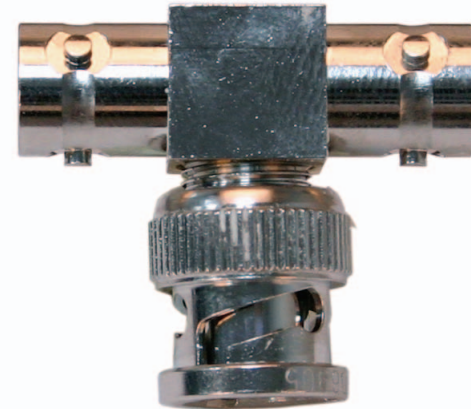
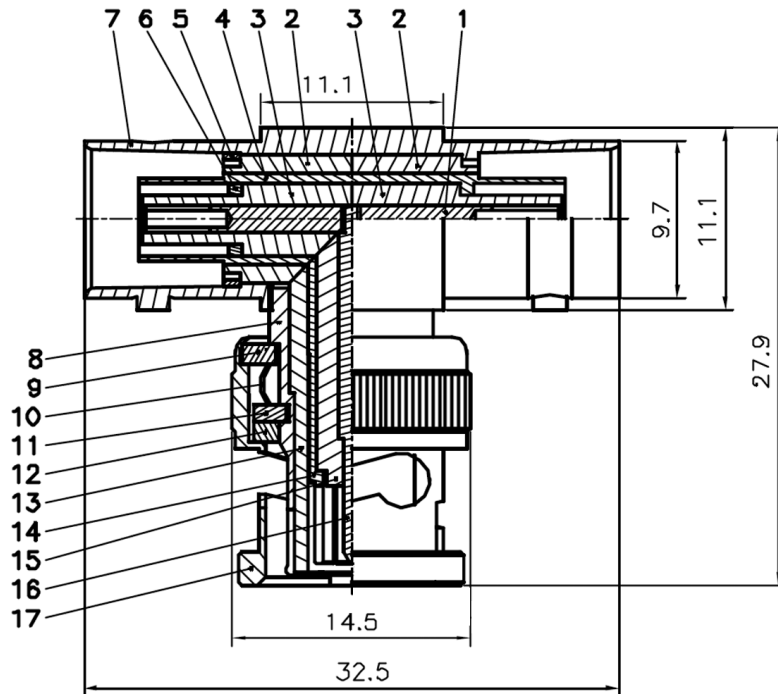


(actual photo)



(actual photo)

MileTek[®] MilesTek Corporation
 1506 Interstate 35 West
 Denton, Tx 76207

Telephone: 940.484.9400 • Toll Free: 866.524.1553

Fax: 940.591.7086 • Web: www.milestek1553.com

UNLESS OTHERWISE
 SPECIFIED TOLERANCES:

0.5-5 = ±0.2

5-30 = ±0.4

30-120 = ±0.6

120-315 = ±1

NO	DESCRIPTION	MATERIAL	QTY
1	CONTACT PIN	BeCu/Gold PLate 30u MIN	1
2	INSULATOR	TEFLON	2
3	INSULATOR	TEFLON	2
4	OUTER CONTACT	PHOSPHOR BRONZE/GOLD PLATE	1
5	WASHER	BRASS/NICKEL PLATE	1
6	WASHER	BRASS/GOLD PLATE	1
7	BODY	BRASS/NICKEL PLATE	1
8	BODY	BRASS/NICKEL PLATE	1
9	WASHER	STEEL/NICKEL PLATE	1
10	SPRING	SK-5/NICKEL PLATE	1
11	WASHER	STEEL/NICKEL PLATE	1
12	GASKET	RUBBER/RED	1
13	INSULATOR	TEFLON	1
14	OUTER CONTACT	PHOSPHOR BRONZE/GOLD PLATE	1
15	INSULATOR	TEFLON	1
16	CONTACT PIN	BRASS/GOLD PLATE 30u" MIN	1
17	SHELL	BRASS NICKEL PLATE	1

PART NUMBER: 10-06905

CAGE CODE: 4Z977

TITLE: TRB TEE ADAPTER

REV:

APPROVED: MARK HEARN

UNIT: mm

DATE: 04/01/2005

SHEET: 1/1

CHECKED: ROBERT PEREZ