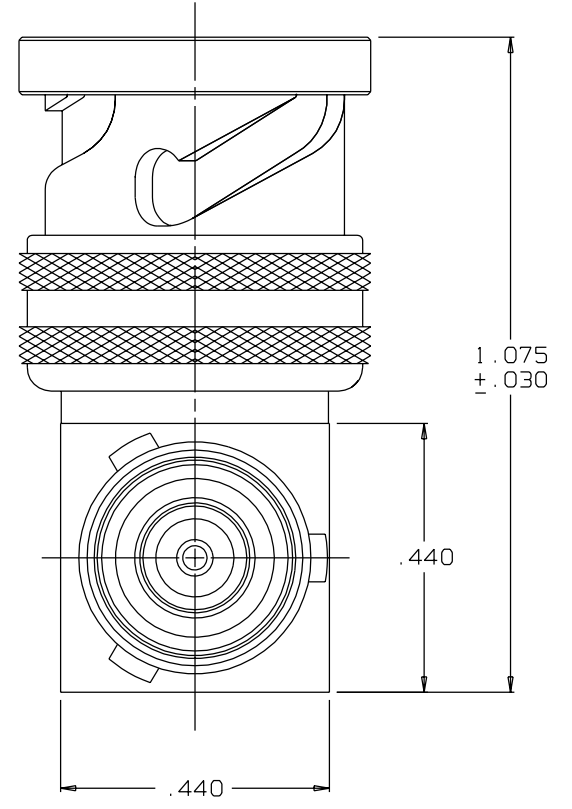
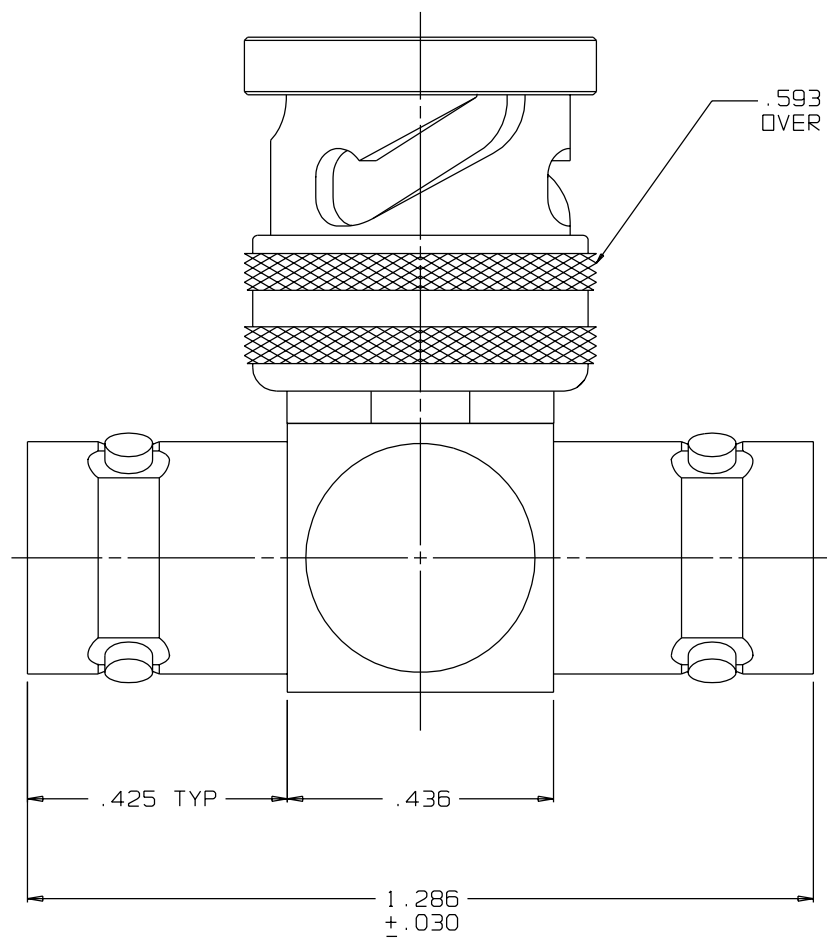


DATA CONTAINED IN THIS DOCUMENT IS PROPRIETARY TO TROMPETER ELECTRONICS, INC. AND SHALL NOT BE DISCLOSED, COPIED OR USED FOR PROCUREMENT OR MANUFACTURE WITHOUT EXPRESS WRITTEN PERMISSION.

REVISIONS			3-0004	SH 1C	
REV	ECO	DESCRIPTION	DWN	APPROVED	DATE
K	12940	.593 DIA OVER KNURL MAX WAS .593 DIA OVER KNURL; SEE ECO	DKC		

DASH NO	MODEL NO	CONNECTOR TYPE
-1	BN73	3-LUG
-2	BN73TL	2-LUG
-3	BN73FL	4-LUG
-4	BN373	THREADED

INCH	MM
.010	0.25
.030	0.76
.425	10.80
.436	11.07
.440	11.18
.593	15.06
1.075	27.31
1.286	32.66



-1 SHOWN

3. CONCENTRIC TWINAX/TRIAX 2-LUG, 3-LUG, 4-LUG & THREADED BAYONET TEE
2. FINISH: TFS-1A (NICKEL)
1. ALL DIM ARE INCHES

QTY	DESCRIPTION		PART NUMBER	ITEM
TOL UNLESS SPECIFIED .xx ± .xxx ± .010 .xxxx ± ANGLES ±	TROMPETER ELECTRONICS, INC.		BN73, BN73TL BN73FL, BN373	
DWN	DKC	7-13-99	MATERIAL	CODE IDENT
CHK				14949
ENGR			DRAWING NO.	REV
APPR			3-0004	K
NEXT ASSY			SCALE 6/1	DATE 10-17-66
				SHEET 1C