

DATA CONTAINED IN THIS DOCUMENT IS PROPRIETARY TO TROMPETER ELECTRONICS INC. AND SHALL NOT BE DISCLOSED, COPIED OR USED FOR PROCUREMENT OR MANUFACTURE WITHOUT EXPRESS WRITTEN PERMISSION.

REVISIONS

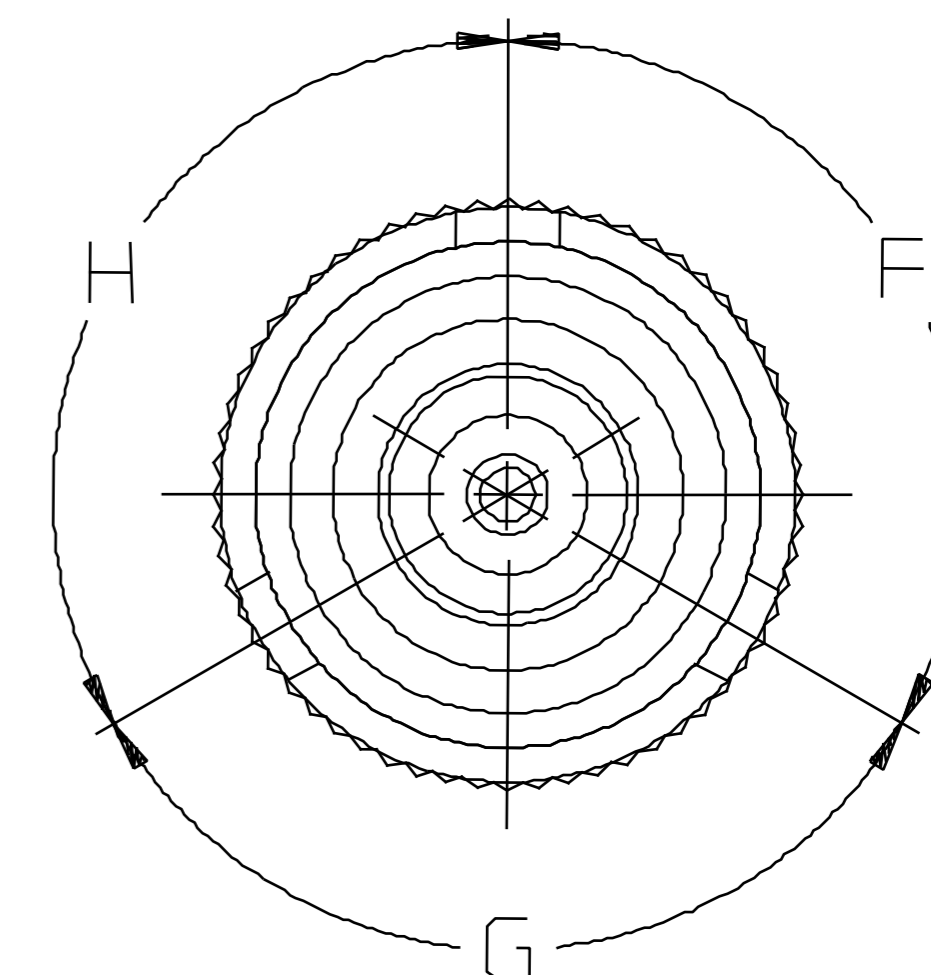
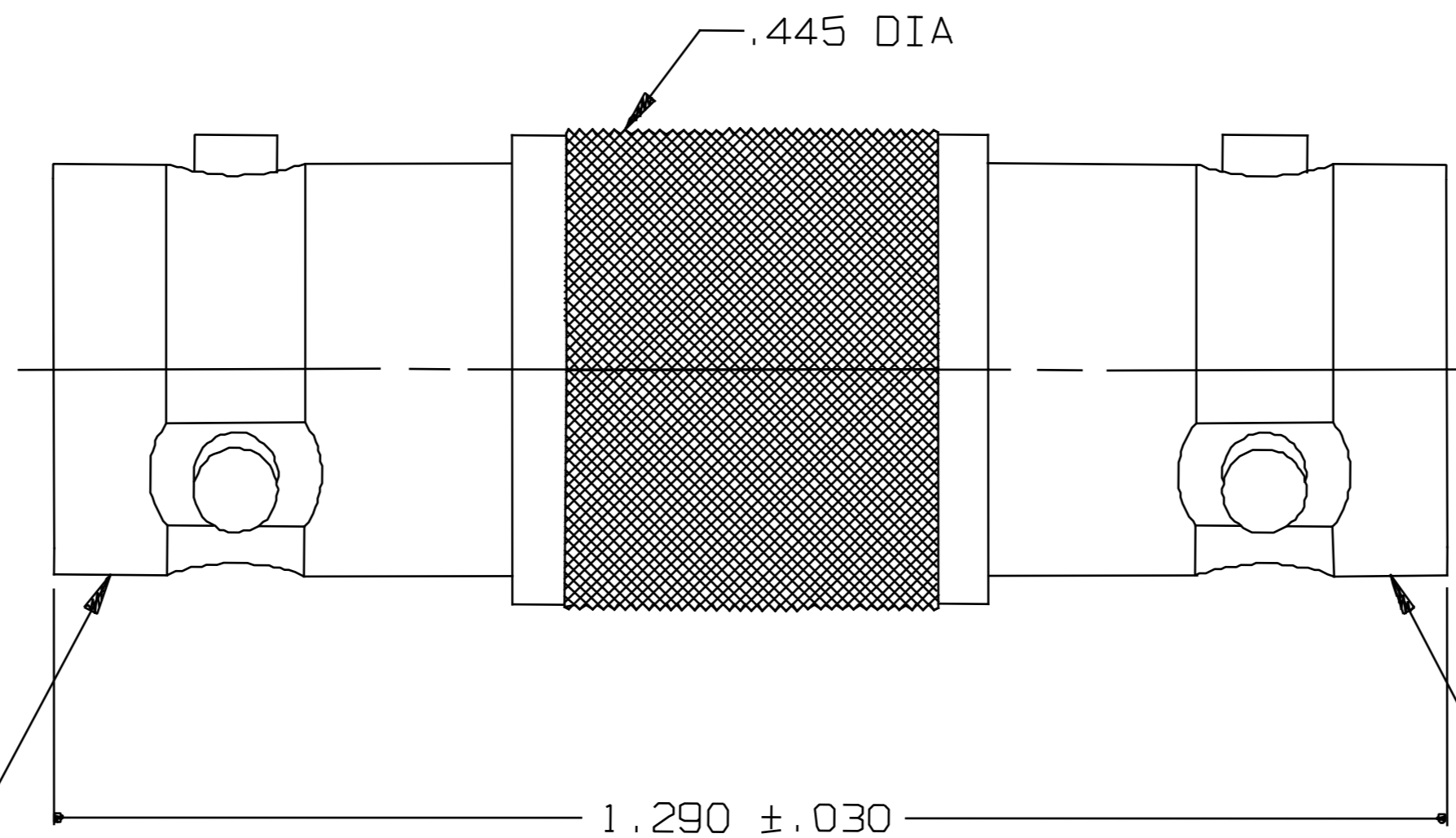
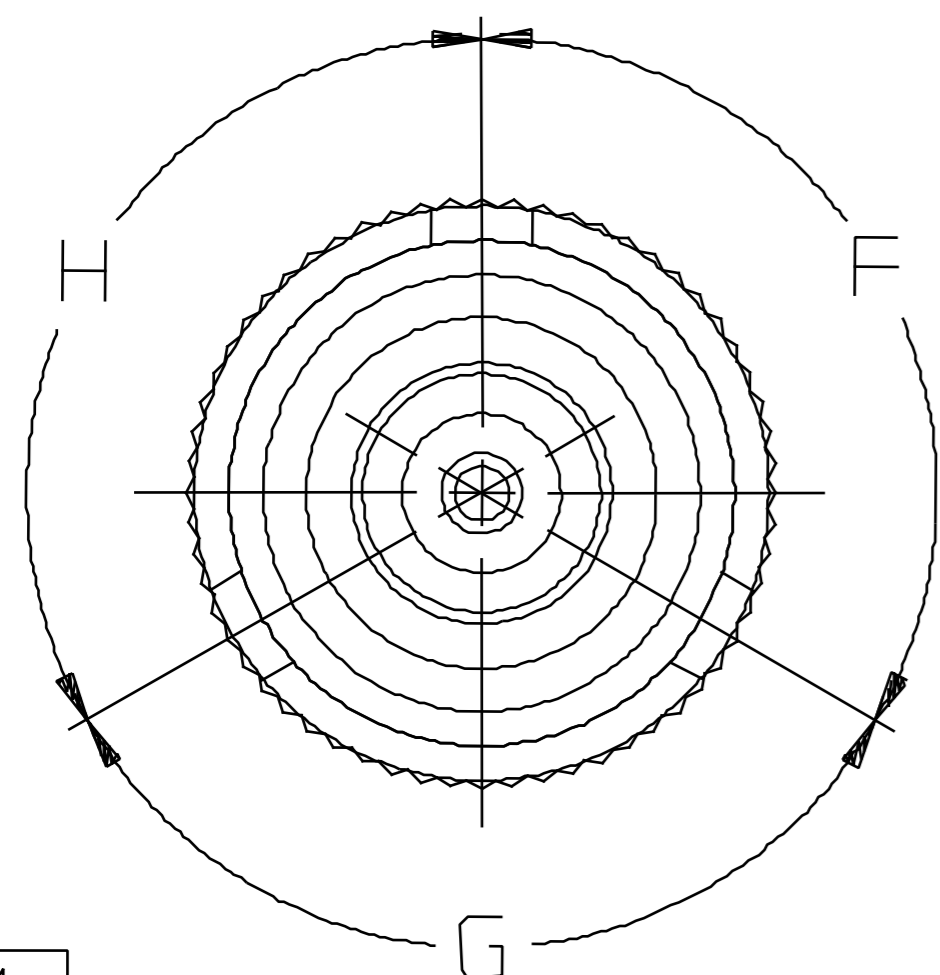
305-0140

SH 1

REV	EO	DESCRIPTION	OWN	APPROVED	DATE
K	10721	ADDED COLOR BAND LOCATION; SEE ECO	DKC		

POLARIZATION CHART

KEYING LETTER	F DEGREES	G DEGREES	H DEGREES	COLOR BAND
T	100°	150°	110°	RED
U	120°	130°	110°	ORANGE
V	115°	130°	115°	YELLOW
W	125°	110°	125°	GREEN
X	130°	100°	130°	BLUE
Y	110°	140°	110°	VIOLET
Z	100°	160°	100°	GRAY
S	135°	135°	90°	WHITE
NONE	120°	120°	120°	NONE



INCH	MM
.005	0.13
.030	0.76
.445	11.30
1.290	32.77

COLOR BAND

COLOR BAND

4. EXAMPLE OF COMPLETE MODEL NO:

AD78 Y

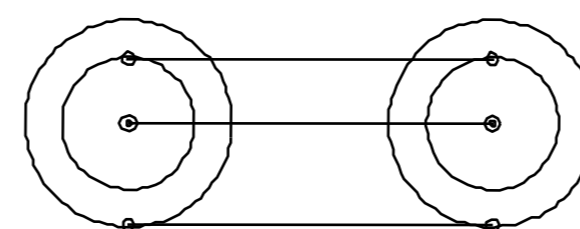
BASIC MODEL NO

KEY LTR

3. WITHIN SERIES CONCENTRIC TWINAX/TRIAX TRB FEEDTHRU RECEPTACLE ADAPTER

2. FINISH: TFS-1A (NICKEL)

1. ALL DIM ARE IN INCHES



SCHEMATIC

QTY	DESCRIPTION		PART NUMBER	ITEM
TOL UNLESS SPECIFIED		<b>TROMPETER ELECTRONICS, INC.</b>	AD78	
.XX ± .XXX ± .005 .XXXX ± ANGLES ±				
OWN	DKC	6-27-94	MATERIAL	CODE IDENT
CHK				<b>14949</b>
ENGR				305-0140
APPR			SCALE 4/1	DATE 2-5-81
				SHEET 1 OF 2

3-0057  
NEXT ASSY