

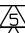
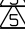
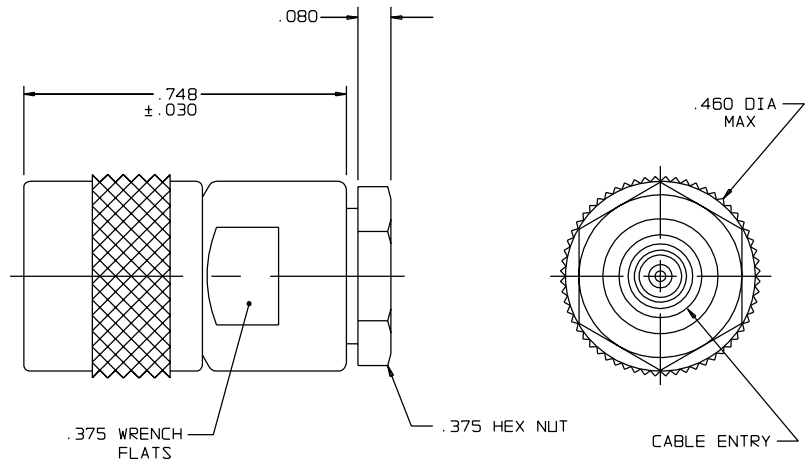


| DASH NO | CABLES ACCOMMODATED | ASSEMBLE PER |
|---------|--------------------------------------------------------------------------------------------------------------------------------|--------------|
| -23 | 275-3930, MICRODOT | TAI-127 |
| -24 | 202-3934, MICRODOT | TAI-125 |
| -24A | 9530A5117, RAYCHEM | TAI-127 |
| -27 | 202-3927, MICRODOT  73-1317911-1, SYLVANIA | TAI-125 |
| -29 | TWC-124-1A TWC-78-1 | TAI-125 |
| -30 | 8441, BELDEN  761A, W.E.CO. | TAI-125 |
| -32 | TRC-50-1 | TAI-127 |
| -33 | TRC-75-1 | TAI-127 |
| -43 | 250-4044/250-4045 293-3930 MICRODOT | TAI-174 |
| -45 | 10602, RAYCHEM | |
| -47 | M17/176-00002  | TAI-125 |
| -49 | TWAC-78-1F2  | TAI-125 |
| -56 | GC875GC1, GRUMMAN | TAI-174 |
| -57 | GC875GB1, GRUMMAN | TAI-174 |
| -58 | GC875TM24H, GRUMMAN | TAI-174 |
| -9 | TWC-124-2 | TAI-125 |
| -55 | TWCP-124-3 | TAI-125 |


| INCH | MM |
|------|-------|
| .005 | 0.13 |
| .030 | 0.76 |
| .080 | 2.03 |
| .187 | 4.75 |
| .375 | 9.53 |
| .460 | 11.68 |
| .748 | 19.00 |

DATA CONTAINED IN THIS DOCUMENT IS PROPRIETARY TO TROMPETER ELECTRONICS INC. AND SHALL NOT BE DISCLOSED, COPIED OR USED FOR PROCUREMENT OR MANUFACTURE WITHOUT EXPRESS WRITTEN PERMISSION.

| REV | | | ED | | | DESCRIPTION | | | 310-0036 | | | SH 1C | | |
|-----|-------|-------------------------|-----|----------|------|-------------|----|-------------|----------|----------|------|-------|----|-------------|
| REV | ED | DESCRIPTION | DWN | APPROVED | DATE | REV | ED | DESCRIPTION | DWN | APPROVED | DATE | REV | ED | DESCRIPTION |
| U | 12836 | ADDED -9 & -55; SEE ECO | R | L | | | | | | | | | | |



-29 SHOWN

 .187 LG JACKET SLITS MAY BE REQUIRED FOR EASE OF ASSY

 NOT WRENCH CRIMP

3. CONCENTRIC TWINAX/TRIAX SUBMINIATURE 3-LUG TRS PLUG

2. FINISH: TFS-1A (NICKEL)

1. ALL DIM ARE IN INCHES

| QTY | DESCRIPTION | PART NUMBER | ITEM |
|-----------|----------------------|-------------|--------------|
| 310-0026 | TOL UNLESS SPECIFIED | | |
| 305-0374 | .XX ± .005 | | |
| 3-0040 | .XXX ± .005 | | |
| 3-0029 | ANGLES ± | | |
| 205-0029 | DWN R L 5/7/99 | MATERIAL | CODE IDENT |
| 1-0451 | CHK | | |
| NEXT ASSY | ENGR | | |
| | APPR | SCALE 4/1 | DATE 6/20/75 |
| | | SHEET 1C | |

**TROMPETER
ELECTRONICS, INC.**

PL155

14949

310-0036

U