

DASH NO	CABLES ACCOMMODATED	A DIM	B DIM	C FLATS	D FLATS	E DIA	ASSEMBLY PER
-7	TRC-50-2 TRC-75-2	1.135	.096	.438	.438	.500	TAI-189
-8	8227, BELDEN	1.716	.130	.625	.688	.750	TAI-103
-9	TWC-78-2 TWC-124-2	1.135	.096	.438	.438	.500	TAI-102
-A9	BL782, TIMES BL982, TIMES BL1242, TIMES	1.135	.096	.438	.438	.500	TAI-102
-10	RG-22 754E, AT&T	1.716	.130	.625	.688	.750	TAI-103
-11	760A, AT&T	1.716	.130	.625	.688	.750	TAI-103
-12	16PEVL, AT&T V1-AL, GENERAL	1.716	.130	.625	.688	.750	TAI-128
-13	TRF-59, TIMES	1.716	.130	.625	.688	.750	TAI-129
-13A	8232, BELDEN	1.716	.130	.625	.688	.750	TAI-165
-14	8233, BELDEN	1.716	.130	.625	.688	.750	TAI-129
-23	250-3884, MICRODOT	1.716	.130	.625	.688	.750	TAI-189
-24	202-3934, MICRODOT	1.716	.130	.625	.688	.750	TAI-102
-24A	9530A5117, RAYCHEM	1.716	.130	.625	.688	.750	TAI-189
-25	T-43M, GENERAL	1.716	.130	.625	.688	.750	TAI-102
-25A	5021H5331, RAYCHEM	1.716	.130	.625	.688	.750	TAI-189
-26	7028A5518, RAYCHEM	1.716	.130	.625	.688	.750	TAI-189
-27	T19TPS12619EN, WOVEN 202-3927, MICRODOT 202-3942, MICRODOT	1.716	.130	.625	.688	.750	TAI-102
-29	TWC-78-1/TWC-124-1A	1.135	.096	.438	.438	.500	TAI-102
-30	761A, AT&T 8441, BELDEN	1.716	.130	.625	.688	.750	TAI-102
-32	TRC-50-1	1.716	.130	.625	.688	.750	TAI-189
-33	TRC-75-1	1.716	.130	.625	.688	.750	TAI-189
-42	21-204, ESSEX 4463, CONSOLIDATED	1.716	.130	.625	.688	.750	TAI-189
-43	250-4044/250-4045 293-3930, MICRODOT	1.135	.096	.438	.438	.500	TAI-102
-45	M27500-22T2T14 1100-66F, STANDARD	1.135	.096	.438	.438	.500	TAI-102
-46	9860, BELDEN	1.716	.130	.625	.688	.750	TAI-103
-47	M17176-00002	1.135	.096	.438	.438	.500	TAI-102
-49	TWAC-78-1F2	1.716	.130	.625	.688	.750	TAI-103
-54	89207, BELDEN	1.716	.130	.625	.688	.750	TAI-103
-55	89272, BELDEN	1.716	.130	.625	.688	.750	TAI-102
-56	GC875GCI, GRUMMAN	1.135	.096	.438	.438	.500	TAI-189
-57	GC875GBI, GRUMMAN	1.135	.096	.438	.438	.500	TAI-189
-58	GC875TM24H, GRUMMAN	1.135	.096	.438	.438	.500	TAI-102
-59	GC875LNI, GRUMMAN	1.135	.096	.438	.438	.500	TAI-102
-60	M17177, THERMATICS 380-10045, BOEING	1.135	.096	.438	.438	.500	TAI-189
-64	7528A5314, RAYCHEM	1.135	.096	.438	.438	.500	TAI-189

MILITARY PART NO (PIN)	MILITARY CABLE PART NO	TROMPETER PART NO (REF ONLY)
M49142/03-0001	M17/134-00001	M310-0002-7
M49142/03-0101	M17/134-00001	M310-0002Y-7
M49142/03-0201	M17/134-00001	M310-0002S-7
M49142/03-0002	M17/134-00002	M310-0002-7
M49142/03-0102	M17/134-00002	M310-0002Y-7
M49142/03-0202	M17/134-00002	M310-0002S-7
M49142/03-0007	M17/45-RG308	M310-0002-9
M49142/03-0107	M17/45-RG308	M310-0002Y-9
M49142/03-0207	M17/45-RG308	M310-0002S-9
M49142/03-0008	M17/176-00002	M310-0002-47
M49142/03-0108	M17/176-00002	M310-0002Y-47
M49142/03-0208	M17/176-00002	M310-0002S-47
M49142/03-0009	M17/177-00002	M310-0002-60
M49142/03-0109	M17/177-00002	M310-0002Y-60
M49142/03-0209	M17/177-00002	M310-0002S-60

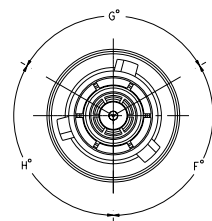
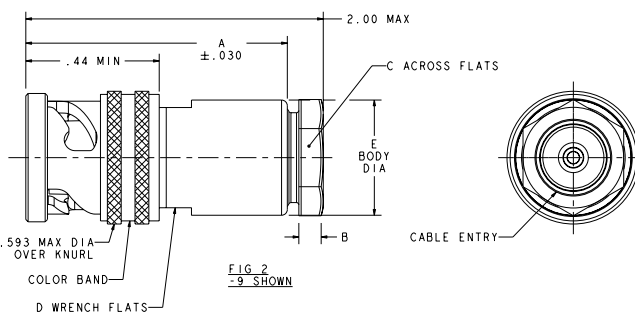
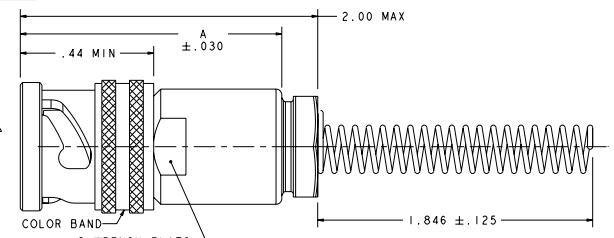
KEYING LETTER	F DEGREES	G DEGREES	H DEGREES	COLOR BAND
NONE	120°	120°	120°	NONE
T	100°	150°	110°	RED
U	120°	130°	110°	ORANGE
V	115°	130°	115°	YELLOW
W	125°	110°	125°	GREEN
X	130°	100°	130°	BLUE
Y	110°	140°	110°	VIOLET
Z	100°	160°	100°	GRAY
S	135°	135°	90°	WHITE

REVISIONS		310-0002	SH 1
REV	ECO NO.	DESCRIPTION	DWN APPROVED DATE
BN	12354	ADDED BACK IN COLUMN 10 CLAMP NUT 8-1580; SEE ECO	J S

DASH NO	ENTRY DIA	DASH NO	ENTRY DIA
-7	.274	-30	.235
-8	.345	-32	.191
-9	.285	-33	.217
-10	.455	-42	.300
-11	.345	-43	.200
-12	.485	-45	.183
-13	.362	-46	.475
-13A	.352	-47	.164
-14	.510	-49	.132
-23	.183	-54	.323
-24	.191	-55	.250
-24A	.200	-56	.191
-25	.285	-57	.191
-26	.183	-58	.198
-27	.145	-60	.217
-29	.191	-64	.183

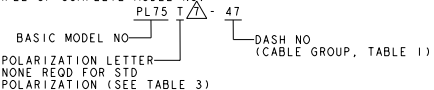
INCH	MM	INCH	MM
.005	0.13	.323	8.20
.030	0.76	.345	8.76
.096	2.44	.352	8.94
.125	3.18	.362	9.19
.130	3.30	.438	11.13
.132	3.35	.440	11.18
.145	3.68	.455	11.56
.164	4.17	.475	12.07
.183	4.65	.485	12.32
.191	4.85	.500	12.70
.198	5.03	.510	12.95
.200	5.08	.593	15.06
.217	5.51	.625	15.88
.235	5.97	.688	17.48
.250	6.35	.750	19.05
.274	6.96	1.135	28.83
.285	7.24	1.716	43.59
.300	7.62	1.846	46.89
		2.00	50.80

FIG 1
-9 SHOWN

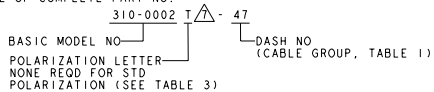


MODEL NO	DASH NO/CABLE GROUP																
PL 75 (TWIAX)	-8	-9	-A9	-10	-11	-12	-24	-25	-27	-29	-30	-45	-46	-47	-49	-54	-55
PL 75 (TRIAx)	-7	-13	-13A	-14	-23	-24A	-25A	-26	-32	-33	-42	-43	-56	-57	-59	-60	-64
PL 75 (QUADRAx)	-58																

6. EXAMPLE OF COMPLETE MODEL NO:



5. EXAMPLE OF COMPLETE PART NO:



- ⚠ WHEN CONNECTOR IS SUPPLIED TO MILITARY PART NO. (SEE TABLE 2):
 - a) ALL PARTS NORMALLY PLATED TFS-1A OR TFS-1U (NICKEL) ARE TO BE PLATED TFS-1M (SILVER)
 - b) MARK PART WITH MILITARY PIN (SEE TABLE 2) AND "14949"
 - c) QUALITY CONFORMANCE INSPECTION SHALL BE PER MIL-C-49142 SECTION 4.5
- ⚠ IF BEND RELIEF SPRING REQD (SEE FIG 1) ADD SUFFIX "BR" TO MODEL NO (NOT AVAILABLE WITH CABLE GROUPS -8, -10, -11, -12, -13, -13A, -14, -46, & -54)

- ⚠ CLAMP NUT OMITTED
- 3. CONCENTRIC TWINAX/TRIAx 3-LUG TRB CABLE PLUG
- 2. FINISH: TFS-1A (NICKEL) ⚠
- 1. ALL DIM ARE IN INCHES

QTY	DESCRIPTION	PART NUMBER	ITEM
TOL UNLESS SPECIFIED			
310-0002	TROMPETER ELECTRONICS, INC	PL75/T/U/V/W/X/Y/Z/S/BR	
DWG J S 4-10-98	MATERIAL	CODE IDENT 14949	DRAWING NO. 310-0002
CHK			BN
SEE SH 3	ENGR	SCALE 4/1	DATE 1/12/66 SHEET 1C
NEXT ASSY	APPR		