

DATA CONTAINED IN THIS DOCUMENT IS PROPRIETARY TO TROMPETER ELECTRONICS INC. AND SHALL NOT BE DISCLOSED, COPIED OR USED FOR PROCUREMENT OR MANUFACTURE WITHOUT EXPRESS WRITTEN PERMISSION.

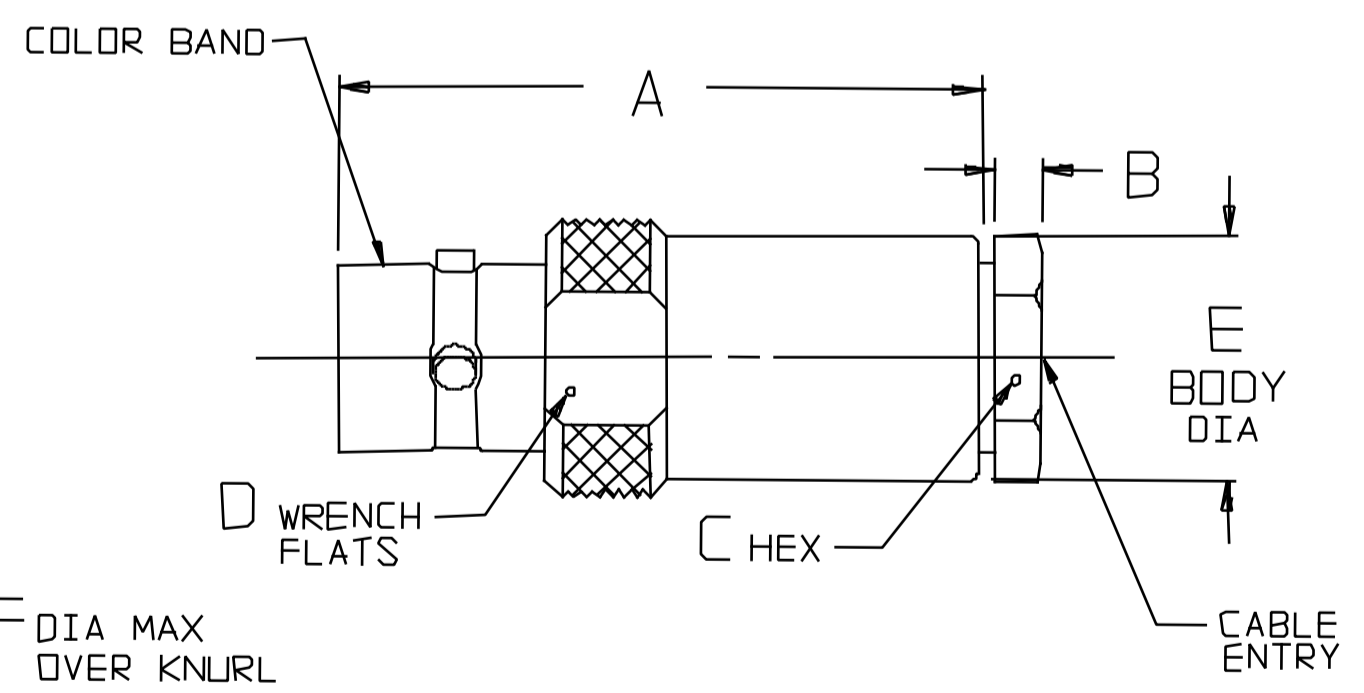
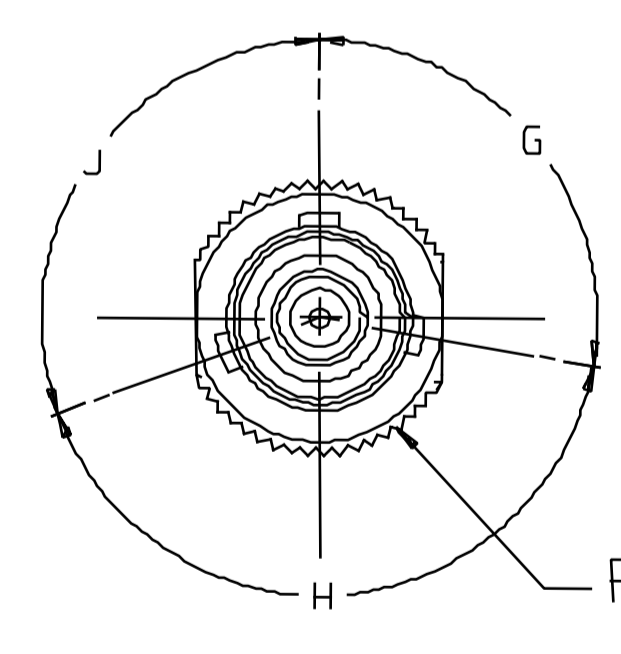
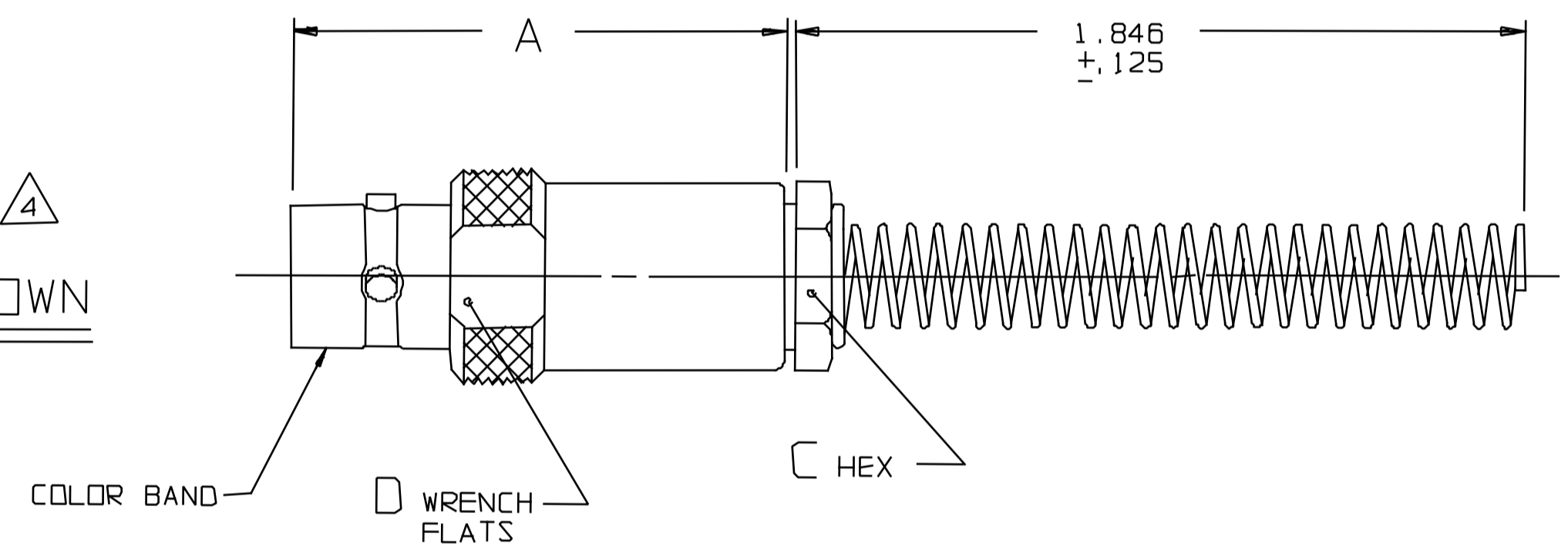
REVISIONS			3-0043		SH 1
REV	EO	DESCRIPTION	DWN	APPROVED	DATE
V	11465	FOR CHANGES SEE ECO	AAH		

DASH NO	CABLES ACCOMMODATED	A DIM	B DIM	C HEX	D FLATS	E DIA	F DIA MAX	CABLE ENTRY DIA	ASSEMBLE PER						
-7	TRC-50-2 TRC-75-2	1.314	.096	.438	.500	.500	.593	.274	TAI-189						
-8	8227 BELDEN	1.648	.130	.625	.688	.750	.775	.345	TAI-103						
-9	TWC-78-2 TWC-124-2	1.314	.096	.438	.500	.500	.593	.285	TAI-102						
-10	RG-22 754E W.E.CO.	1.648	.130	.625	.688	.750	.775	.455	TAI-103						
-11	760A W.E.CO.							.347							
-12	16 PEVL W.E.CO. V1-AL GENERAL							.485	TAI-128						
-13	TRF-59 TIMES							.362	TAI-129						
-13A	8232 BELDEN							.352	TAI-165						
-14	8233 BELDEN							.490	TAI-129						
-23	250-3884 MICRODOT							.183	TAI-189						
-24	202-3934 MICRODOT							.191	TAI-102						
-24A	9530A5117 RAYCHEM							.200	TAI-189						
-25	T-43M GENERAL							.285	TAI-102						
-25A	5021H5331 RAYCHEM							.191	TAI-189						
-26	7028A5518 RAYCHEM														
-27	T19TPSJ2619EN WOVEN 202-3927 MICRODOT 202-3942 MICRODOT							1.314	.096	.438	.500	.500	.593	.145	TAI-102
-29	TWC-78-1/TWC-124-1A													.191	
-30	761A W.E.CO. 8441 BELDEN	.235													
-32	TRC-50-1	.191													
-33	TRC-75-1	.217													
-42	21-204 ESSEX 4463 CONSOLIDATED	.300	TAI-189												
-43	250-4044/250-4045 293-3930 MICRODOT	.200													
-45	M27500-22TE2T14 1100-66F STANDARD	.183	TAI-102												
-46	9860 BELDEN	1.648	.130	.625	.688	.750	.775							.475	TAI-103
-47	M17/176-00002	1.314	.096	.438	.500	.500	.593							.164	TAI-102
-49	TWAC-78-1F2	.132													
-54	89207 BELDEN	1.648	.130	.625	.688	.750	.775							.323	TAI-103
-55	89272 BELDEN	.250	TAI-102												
-56	GC875GC1, GRUMMAN	1.314	.096	.438	.500	.500	.593							.191	TAI-189
-57	GC875GB1, GRUMMAN							.198	TAI-102						
-58	GC875TM24H, GRUMMAN							.198	TAI-102						
-59	GC875LN1, GRUMMAN							.198	TAI-102						
-60	M17/177 THERMATICS 380-10045 BOEING							.217	TAI-189						
-64	7528A5314, RAYCHEM							.183							

MILITARY PART NO (PIN)	MILITARY CABLE PART NO	TROMPETER P/N (REF ONLY)
M49142/06-0001	M17/134-00001	M3-0043-7
M49142/06-0101	M17/134-00001	M3-0043Y-7
M49142/06-0201	M17/134-00001	M3-0043S-7
M49142/06-0002	M17/134-00002	M3-0043-7
M49142/06-0102	M17/134-00002	M3-0043Y-7
M49142/06-0202	M17/134-00002	M3-0043S-7
M49142/06-0007	M17/176-00002	M3-0043-47
M49142/06-0107	M17/176-00002	M3-0043Y-47
M49142/06-0207	M17/176-00002	M3-0043S-47
M49142/06-0008	M17/176-00002	M3-0043-9
M49142/06-0108	M17/176-00002	M3-0043Y-9
M49142/06-0208	M17/176-00002	M3-0043S-9
M49142/06-0009	M17/177-00002	M3-0043-60
M49142/06-0109	M17/177-00002	M3-0043Y-60
M49142/06-0209	M17/177-00002	M3-0043S-60

KEYING LETTER	G DEGREES	H DEGREES	J DEGREES	COLOR BAND
NONE	120°	120°	120°	NONE
T	100°	150°	110°	RED
U	120°	130°	110°	ORANGE
V	115°	130°	115°	YELLOW
W	125°	110°	125°	GREEN
X	130°	100°	130°	BLUE
Y	110°	140°	110°	VIOLET
Z	100°	160°	100°	GRAY
S	135°	135°	90°	WHITE

FIG 2  
- 9 SHOWN



INCH	MM	INCH	MM
.005	0.13	.345	8.76
.096	2.44	.347	8.81
.125	3.18	.352	8.94
.130	3.30	.362	9.19
.132	3.35	.438	11.13
.145	3.68	.455	11.56
.164	4.17	.475	12.07
.183	4.65	.485	12.32
.191	4.85	.490	12.45
.198	5.03	.500	12.70
.200	5.08	.593	15.06
.217	5.51	.625	15.88
.235	5.97	.688	17.48
.250	6.35	.750	19.05
.274	6.96	.775	19.69
.285	7.24	1.314	33.38
.300	7.62	1.648	41.86
.323	8.20	1.846	46.89

FIG 1  
- 9 SHOWN

5. EXAMPLE OF COMPLETE MODEL NO:  
 CJ70 T-7  
 BASIC MODEL NO. | DASH NO  
 | POLARIZATION LETTER (SEE TABLE 3)

- △ WHEN CONNECTOR IS SUPPLIED TO MILITARY PART NO (SEE TABLE 2):
- a) ALL PARTS NORMALLY PLATED TFS-1A OR TFS-1U (NICKEL) ARE TO BE PLATED TFS-1M (SILVER)
  - b) MARK PART WITH MILITARY PIN (SEE TABLE 2) (NICKEL) AND "14949"
  - c) QUALITY CONFORMANCE INSPECTION SHALL BE PER MIL-C-49142 SECTION 4.5

- 4. FOR BEND RELIEF SPRING (FIG 2) ADD SUFFIX "BR" TO MODEL NO (NOT AVAILABLE WITH CABLE GROUPS -8, -10, -11, -12, -13, -14, -46 AND -54)
- 3. CONCENTRIC TWINAX/TRIAX TRB CABLE RECEPTACLE
- 2. FINISH: TFS-1A (NICKEL) △
- 1. ALL DIM ARE IN INCHES

QTY	DESCRIPTION	PART NUMBER	ITEM	
305-0534	TOL UNLESS SPECIFIED .XX ± .XXX ± .005 .XXXXE ANGLES ±	TROMPETER ELECTRONICS, INC.	CJ70/T/U/V/W/ X/Y/Z/S/BR	
305-0522				
305-0521	DWN AAH 1-13-96			
305-0458	CHK			
305-0419	ENGR			
NEXT ASSY	APPR	SCALE 2/1	DATE 9/17/80	SHEET 1 OF 2