

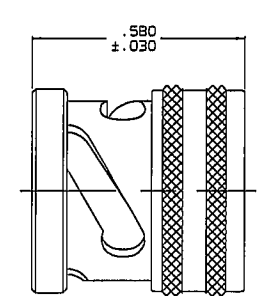
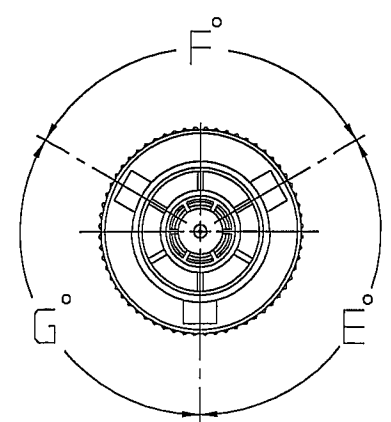
TABLE 1		TABLE 2				
DASH NO	DESCRIPTION	DASH NO	"A" DIA	"B" DIA	"C" DIM	"D" DIM
-1	TERM (NO CHAIN)	-02	.630	.750	1.066	.450
-2	TERM WITH 2.5 BRASS CHAIN	-03	.505	.625	.941	.388
-3	TERM WITH 2.5 NYLON CHAIN	-04	.439	.562	.878	.355
-4	TERM WITH 3.0 BRASS CHAIN	-05	.380	.500	.816	.325
-5	TERM WITH 3.0 NYLON CHAIN	-06	.317	.437	.753	.295
-6	TERM WITH 6.0 BRASS CHAIN	-07	.281	.406	.722	.278
-7	TERM WITH 6.0 NYLON CHAIN	-08	.610	.750	1.066	.450
-8	TERM WITH 4.0 BRASS CHAIN	-09	.567	.687	1.003	.419
-9	TERM WITH 4.0 NYLON CHAIN	-010	.192	.312	.628	.231
-10	TERM WITH 10.0 BRASS CHAIN	-008	.330	.450	.766	.300
-11	TERM WITH 10.0 NYLON CHAIN					
-12	TERM WITH 2.5 SST ROPE					
-13	TERM WITH 3.0 SST ROPE					
-14	TERM WITH 6.0 SST ROPE					
-15	TERM WITH 4.0 SST ROPE					
-16	TERM WITH 7.5 SST ROPE					
-17	TERM WITH 4.5 SST ROPE					

TABLE 3				
KEYING LETTER	E DEGREES	F DEGREES	G DEGREES	COLOR BAND
NONE	120°	120°	120°	NONE
T	100°	150°	110°	RED
U	120°	130°	110°	ORANGE
V	115°	130°	115°	YELLOW
W	125°	110°	125°	GREEN
X	130°	100°	130°	BLUE
Y	110°	140°	110°	VIOLET
Z	100°	160°	100°	GRAY
S	135°	135°	90°	WHITE

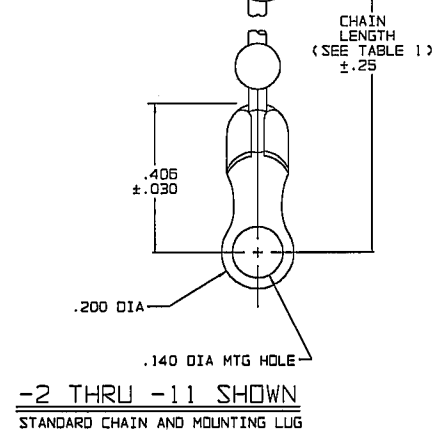
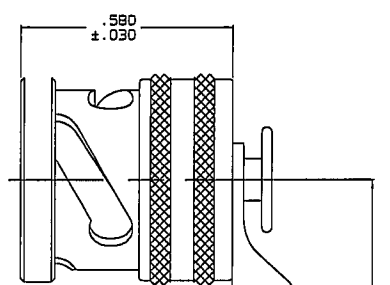
DATA CONTAINED IN THIS DOCUMENT IS PROPRIETARY TO TROMPETER ELECTRONICS INC. AND SHALL NOT BE DISCLOSED, COPIED OR USED FOR PROCUREMENT OR MANUFACTURE WITHOUT EXPRESS WRITTEN PERMISSION OF TROMPETER ELECTRONICS INC.

REVISIONS		305-0001	SH 1
REV	DESCRIPTION	DATE	APPROVED
T	REVISED PER ECO 15015	4-10-03	TAM

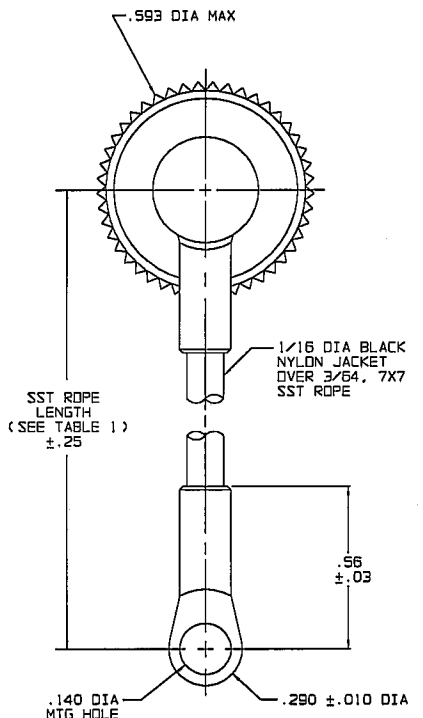
RED INDICATES ORIGINAL



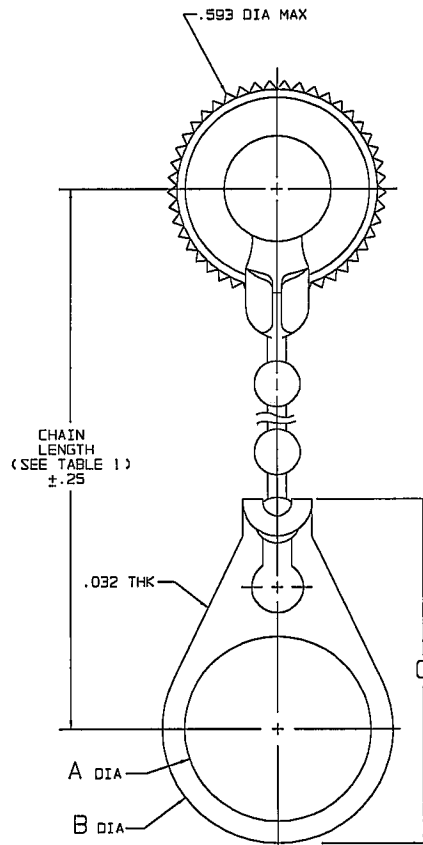
-1 SHOWN
NO CHAIN/ROPE OR MOUNTING LUG



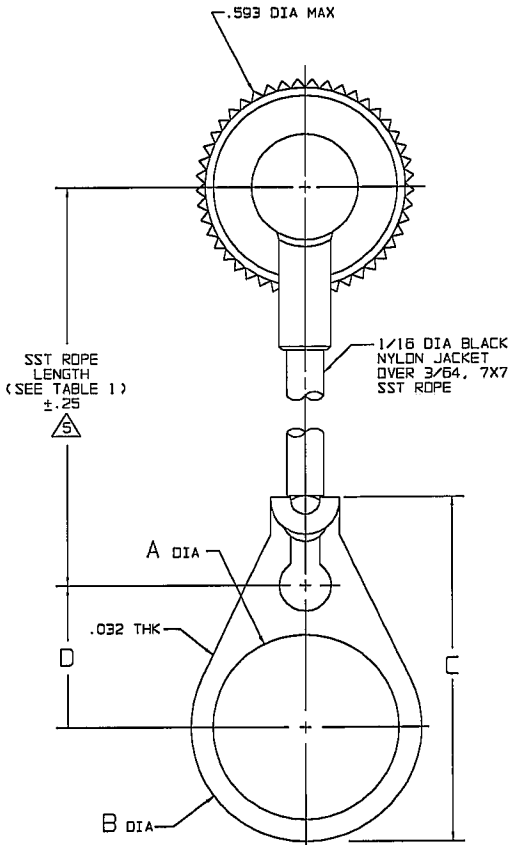
-2 THRU -11 SHOWN
STANDARD CHAIN AND MOUNTING LUG



-12 THRU -17
STAINLESS STEEL ROPE AND MOUNTING LUG



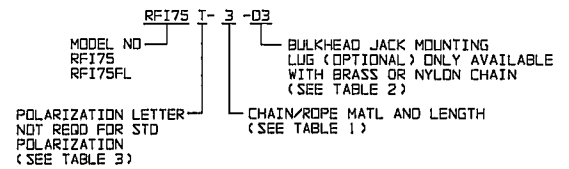
-2 -02 THRU
-11 -008 SHOWN
STANDARD CHAIN AND BULKHEAD JACK MOUNTING LUG



-12-02 THRU
-17-008 SHOWN
STAINLESS STEEL ROPE AND BULKHEAD JACK MOUNTING LUG

NOTE THAT LENGTH FOR SST ROPE WITH MOUNTING LUG OPTION IS NOT MEASURED TO CENTER OF BULKHEAD MOUNTING LUG

4. EXAMPLE OF COMPLETE MODEL NO:



- 3 AND 4 LUG BNC/TRB DUST CAP WITH CHAIN/ROPE OR MOUNTING LUG OPTIONS
- FINISH: TFS-1A, (NICKEL)
- ALL DIM ARE IN INCHES

INTERPRET DRAWING PER MIL-STD-100 DIMENSIONS ARE IN INCHES AND INCLUDE FINISH THICKNESS UNLESS OTHERWISE SPECIFIED	TOL: UNLESS SPECIFIED .XX .XXX ±.005 .XXXX	TROMPETER ELECTRONICS, INC.
DRAWN: AAH CHECKED: DP QUALITY: JH DATE: 4-9-03 DATE: 4/10/03 DATE: 4/10/03 DATE: 4/10/03	MATERIAL:	
TITLE: RF175/RF175FL T/U/V/W/X/Y/Z/S		SIZE: B CAGE CODE: 14949
DRAWING NO.: 305-0001		REV.: T
SCALE: 2/1	DATE: 10-4-67	SHEET: 1C