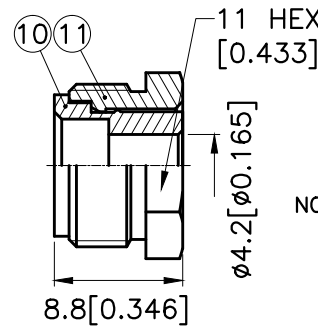
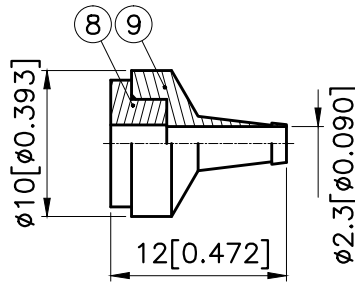
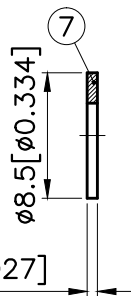
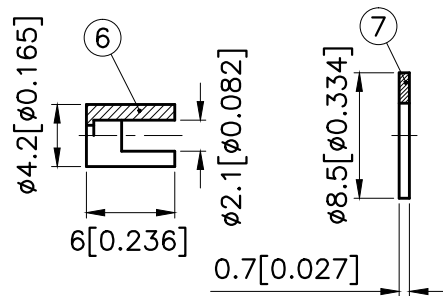
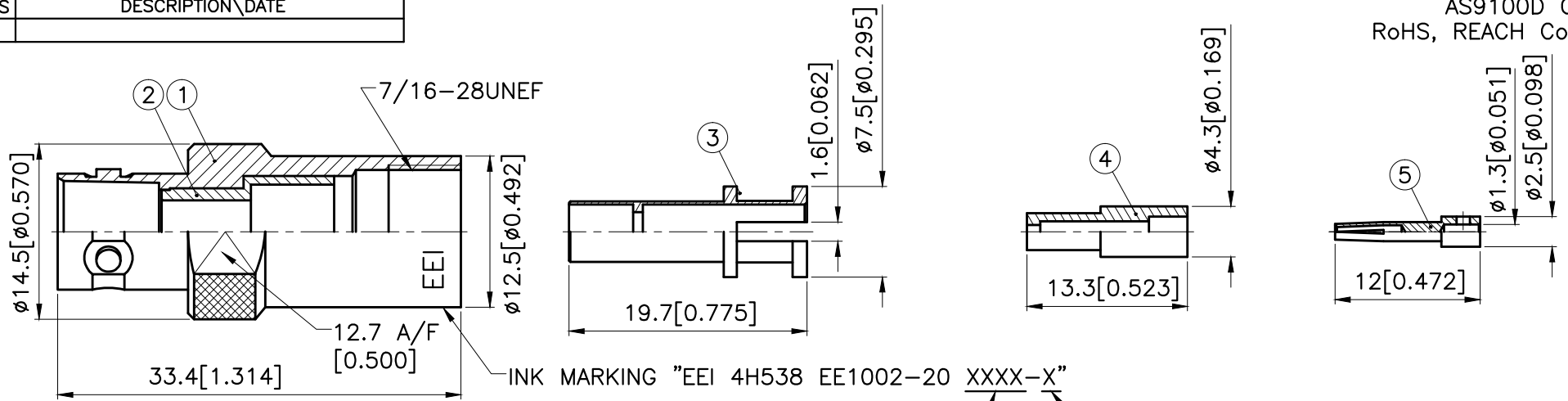


REVISIONS	
ISS	DESCRIPTION \ DATE

AS9100D Certified  
RoHS, REACH Compliant



NOTES: FINISH (PLATING THICKNESS IN MICRO-INCHES)

- BRASS PER QQ-B-626
- NICKEL PL 100~300 THICK OVER COPPER PL 80~150 THICK
- GOLD PL 30~40 THICK OVER NICKEL PL 100~300 THICK OVER COPPER PL 80~150 THICK
- BERYLLIUM COPPER PER QQ-C-530
- NYLON
- GOLD PL 3~10 THICK OVER NICKEL PL 100~300 THICK OVER COPPER PL 80~150 THICK

Part Number	Compatible Cable Type
EE1002-40	TWC-78-2, TWCH-78-2, TWPC-78-2, 30-02001
EE1002-30	TWC-78-1, TWCP-78-1, 30-02003
EE1002-20	M17/176-00002
EE1002-10	BC0078-10, TWAC-78-1F2, 30-02002



APRD: M.H.  
CHKD: Y.W.  
DR: Y.L.

TITLE: EE1002-20 CAGE CODE: 4H538 DATE: 10/18/19" UNIT:mm[inch]  
DRAWING NO: 67130-015-F1 SHEET: . SCALE: 2/1

NO.	DESCRIPTION	MATERIAL	FINISH
11	NUT	NOTE 1	NOTE 2
10	BRAID HOLDER	NOTE 1	NOTE 2
9	BRAID HOLDER	NOTE 1	NOTE 2
8	INSULATOR	PTFE	WHITE
7	WASHER	NOTE 5	RED
6	INSULATOR	PTFE	WHITE
5	CONTACT PIN	NOTE 4	NOTE 3
4	INSULATOR	PTFE	WHITE
3	BODY	NOTE 1	NOTE 6
2	INSULATOR	PTFE	WHITE
1	BODY	NOTE 1	NOTE 2